
 SOLID PANEL SECTION

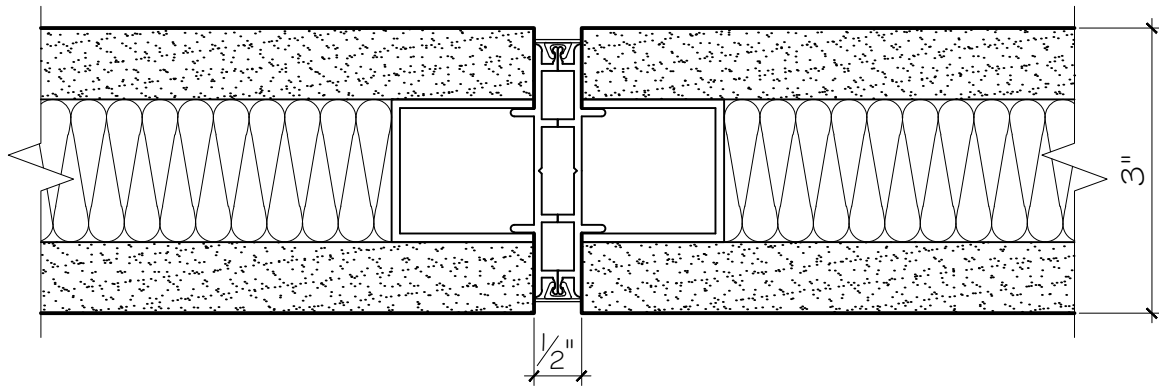


SCALE:
 1/2" = 1"
 DATE:
 4-20-2011
 DRAWING NAME:
 AW-SP-1

ARCHITECTURAL WALLS
 Solid Panel
 1/2" Recessed Connection


DRAWING NO.

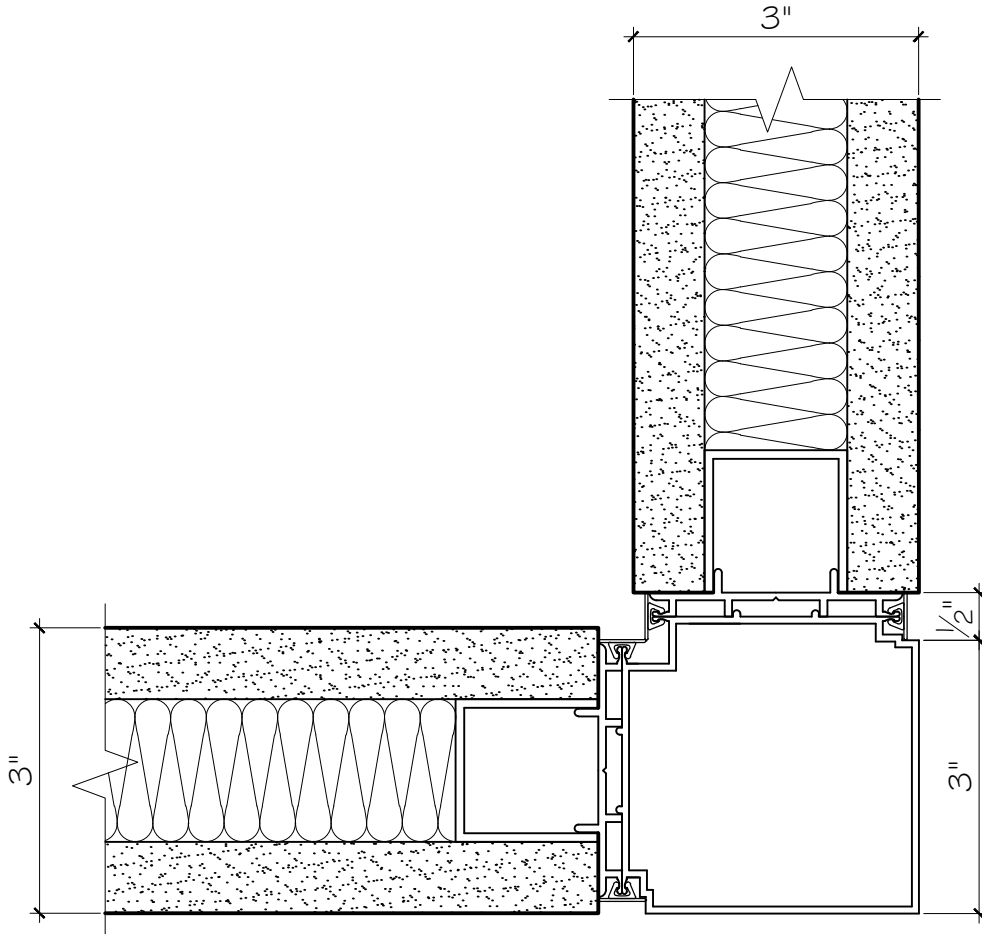
1



1
 2

 SOLID PANEL- STRAIGHT CONNECTION
 SECTION

	SCALE:	1/2" = 1"	DRAWING NO.
	DATE:	4-20-2011	2
	DRAWING NAME:	AW-SP-SC-2	
		ARCHITECTURAL WALLS Solid Panel - Straight Connection 1/2" Recessed Connection	



1

 3

 SOLID PANEL - 2 WAY CONNECTION
 SECTION

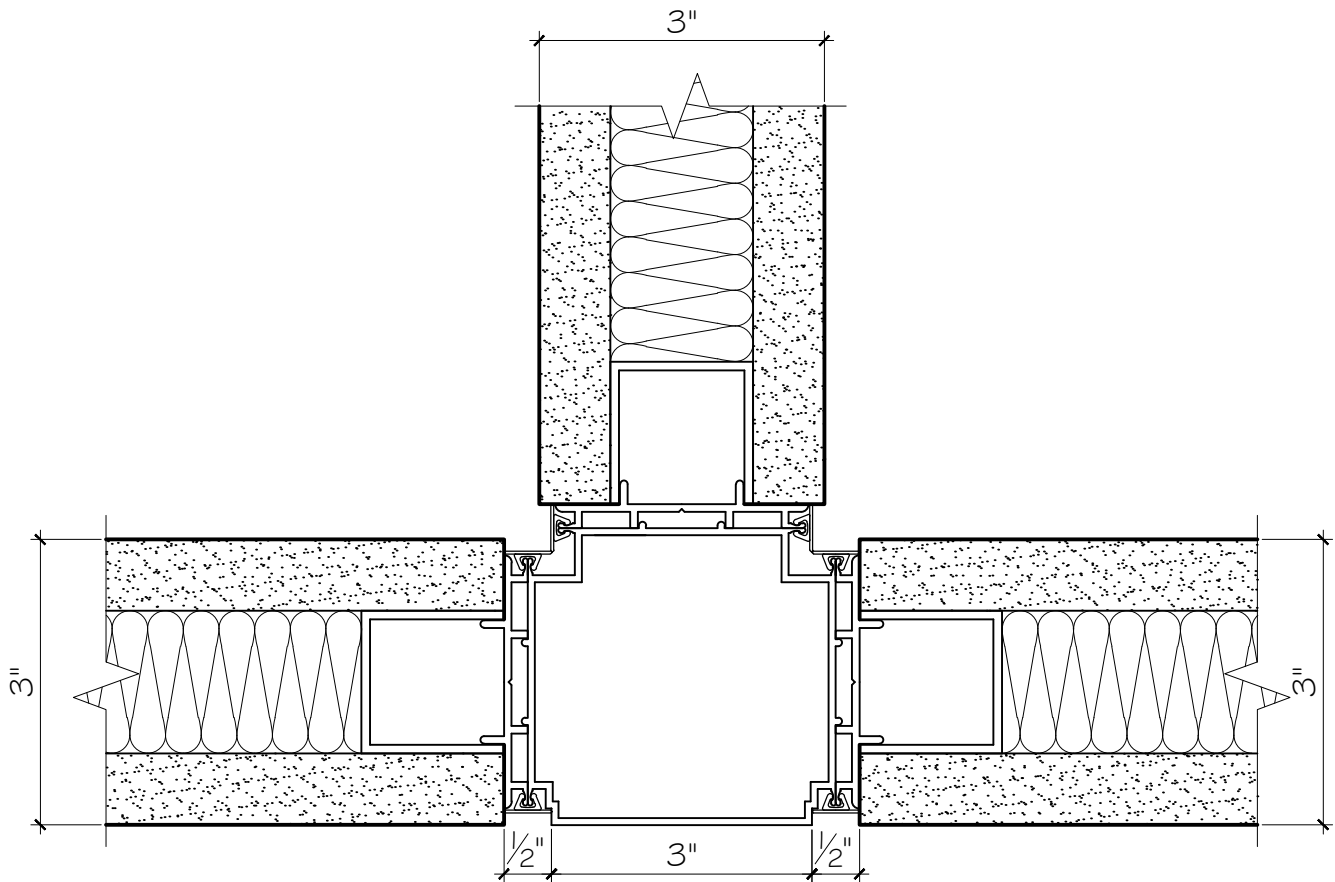


SCALE:
 1/2" = 1"
 DATE:
 4-20-2011
 DRAWING NAME:
 AW-SP-2WC-3

ARCHITECTURAL WALLS
 Solid Panel - 2 Way Connection
 1/2" Recessed Connection

DRAWING NO.

3



1
4

SOLID PANEL - 3 WAY CONNECTION
SECTION



SCALE:
1/2" = 1"

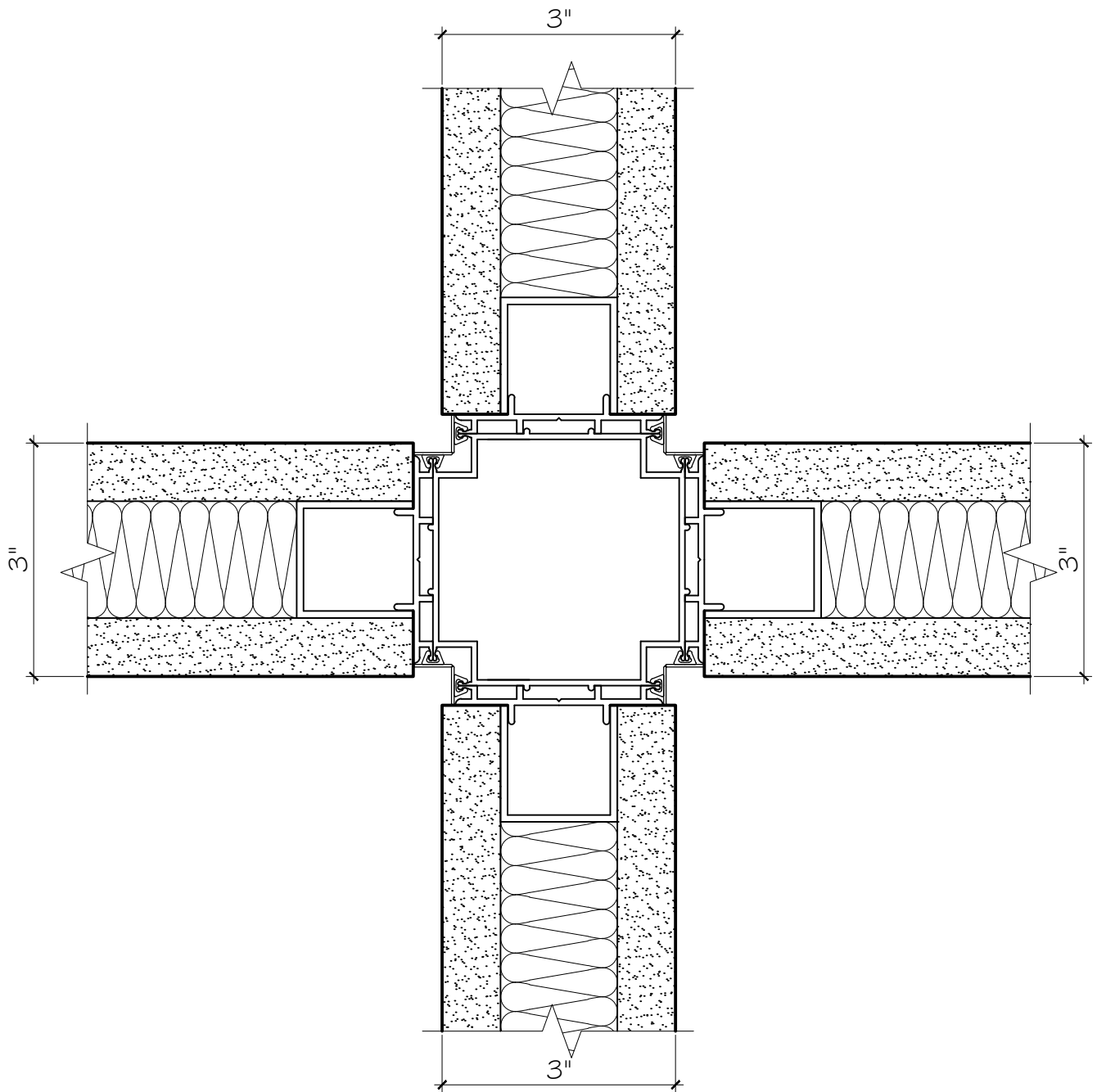
DATE:
4-20-2011

DRAWING NAME:
AW-SP-3WC-4

ARCHITECTURAL WALLS
Solid Panel - 3 Way Connection
1/2" Recessed Connection

DRAWING NO.

4



1
5

SOLID PANEL - 4 WAY CONNECTION
SECTION



SCALE:
1/2" = 1"

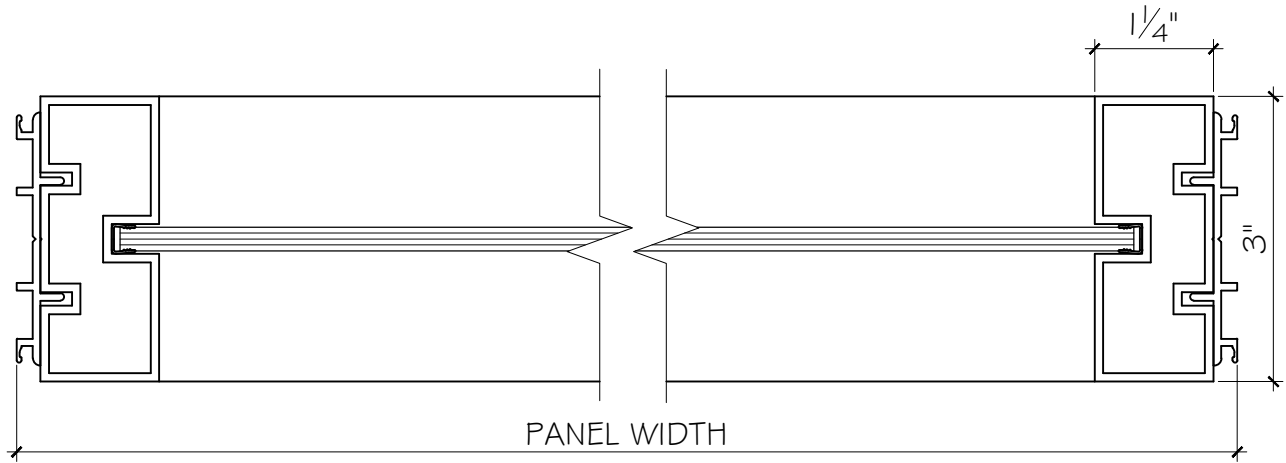
DATE:
4-20-2011

DRAWING NAME:
AW-SP-4WC-5

ARCHITECTURAL WALLS
Solid Panel - 4 Way Connection
1/2" Recessed Connection

DRAWING NO.

5



1
6 GLAZED PANEL SECTION



SCALE:
1/2" = 1"

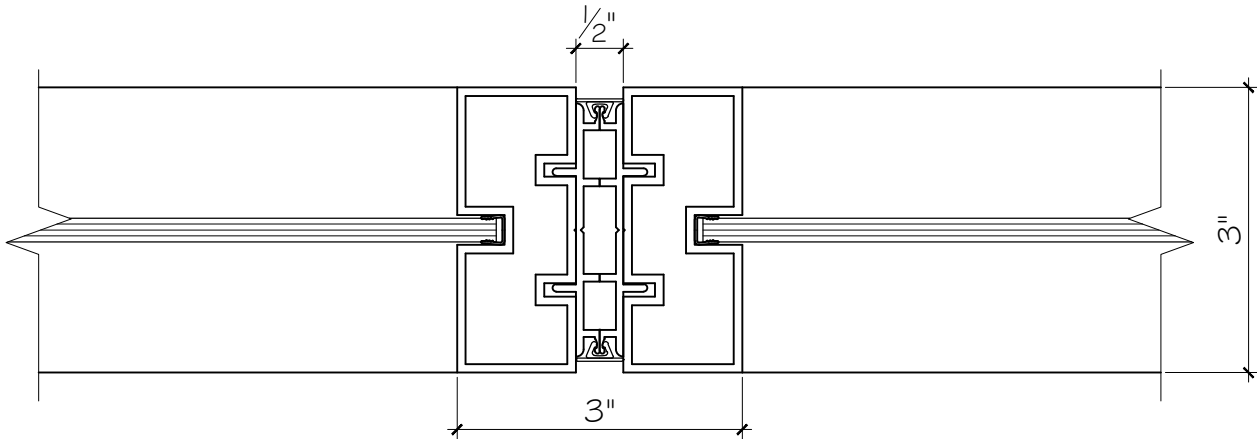
DATE:
4-20-2011

DRAWING NAME:
AW-GP-6

ARCHITECTURAL WALLS
Glazed Panel
1/2" Recessed Connection


DRAWING NO.

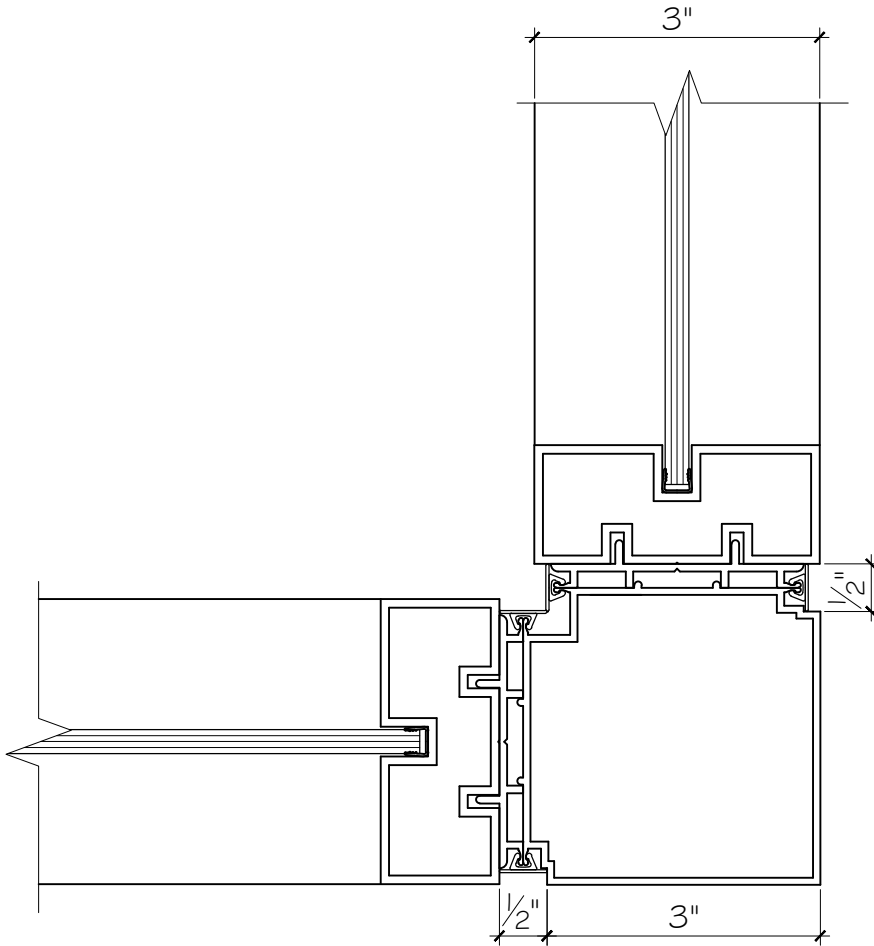
6



1
7

 GLAZED PANEL - STRAIGHT CONNECTION
 SECTION

	SCALE:	ARCHITECTURAL WALLS Glazed Panel - Straight Connection 1/2" Recessed Connection	DRAWING NO.
		1/2" = 1"	7
	DATE:	4-20-2011	
DRAWING NAME:	AW-GP-SC-7		



1
 8

 GLAZED PANEL - 2 WAY CONNECTION
 SECTION

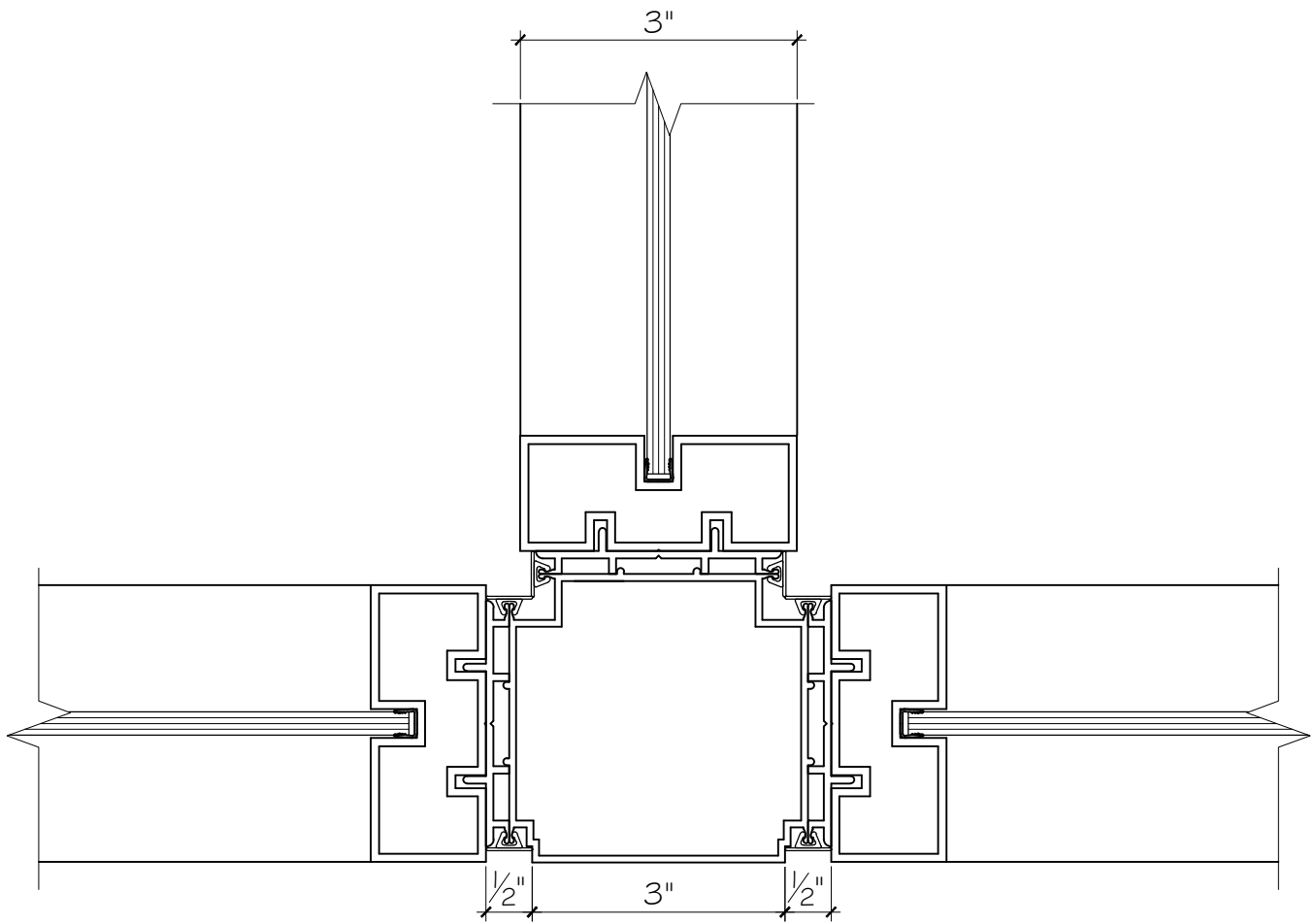


SCALE:
 1/2" = 1"
 DATE:
 4-20-2011
 DRAWING NAME:
 AW-GP-2WC-8

ARCHITECTURAL WALLS
 Glazed Panel - 2 Way Connection
 1/2" Recessed Connection

DRAWING NO.

8



1
9

 GLAZED PANEL - 3 WAY CONNECTION
SECTION

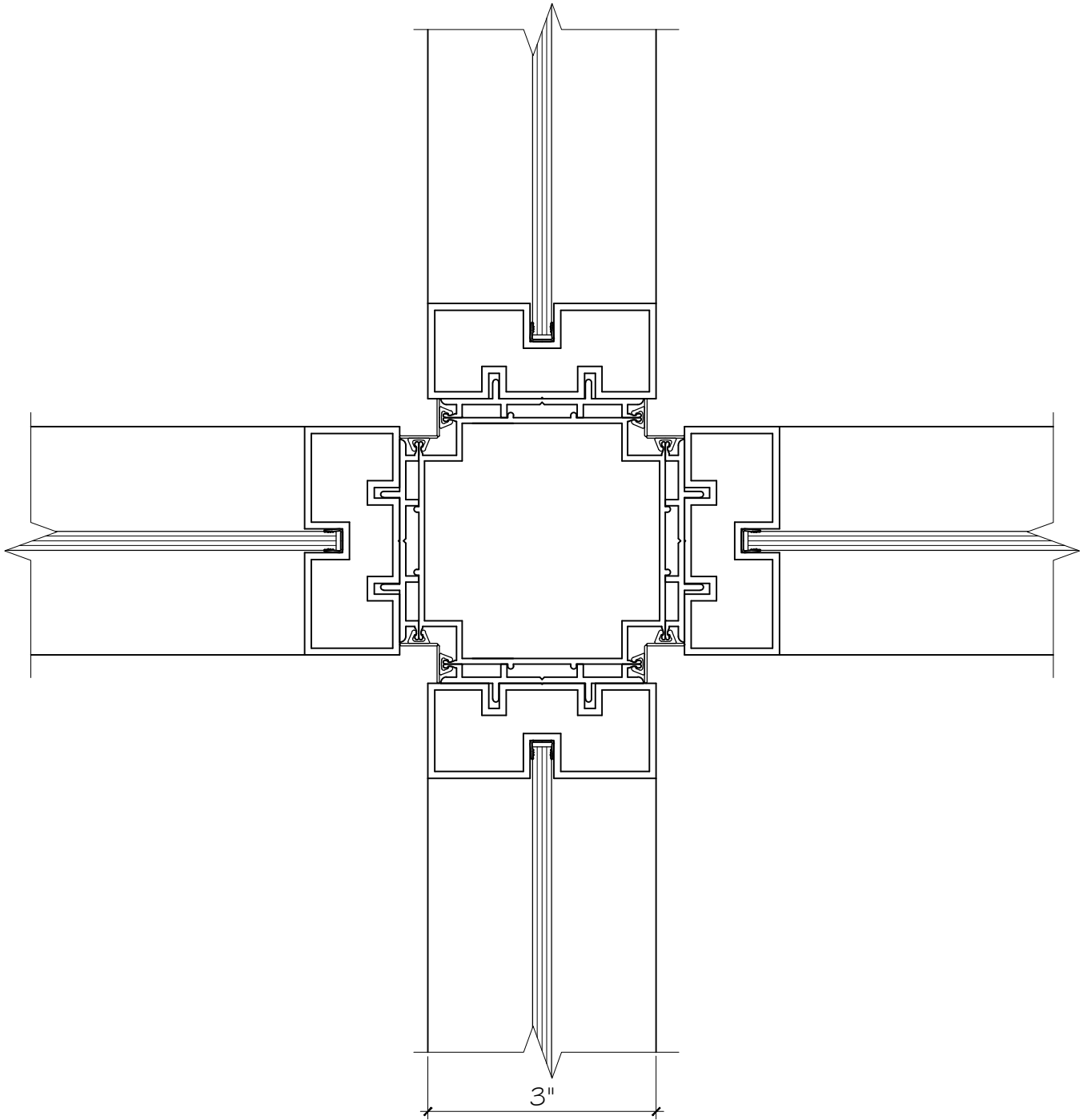


SCALE:
 1/2" = 1"
 DATE:
 4-20-2011
 DRAWING NAME:
 AW-GP-3WC-9


ARCHITECTURAL WALLS
 Glazed Panel - 3 Way Connection
 1/2" Recessed Connection

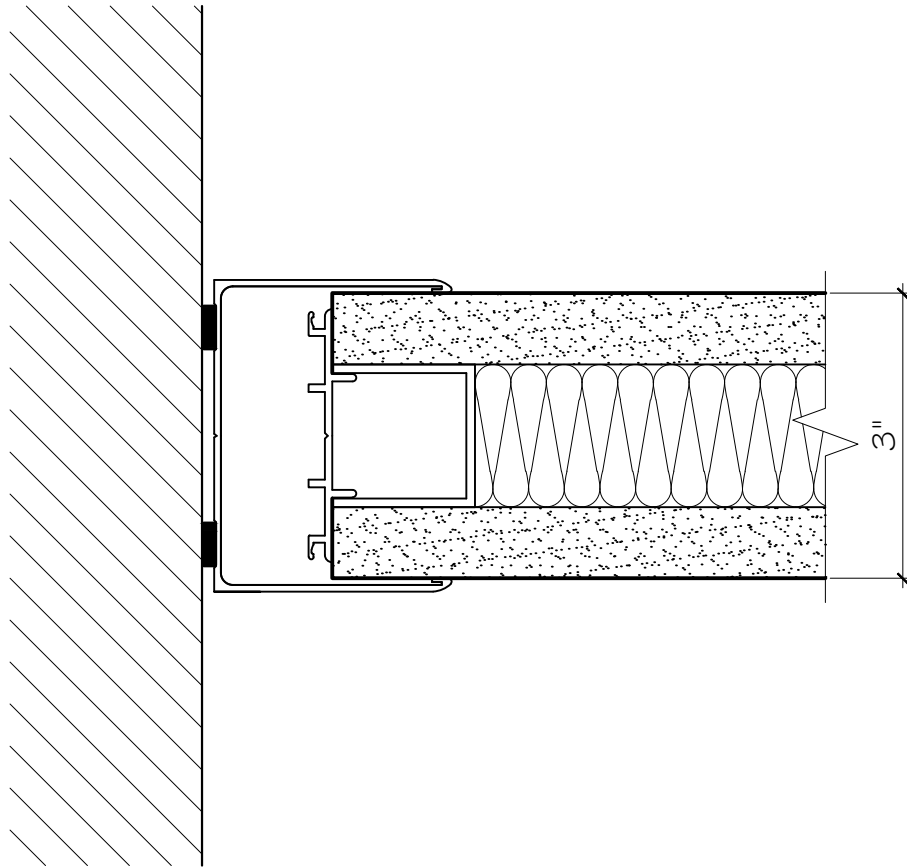
DRAWING NO.

9



1
10
 GLAZED PANEL - 4 WAY CONNECTION
 SECTION

	SCALE: 1/2" = 1"	ARCHITECTURAL WALLS Glazed Panel - 4 Way Connection 1/2" Recessed Connection	DRAWING NO.
	DATE: 4-20-2011		10
	DRAWING NAME: AW-GP-4WC-10		



1
 11

 SOLID PANEL - WALL CONDITION
 SECTION



SCALE:

1/2" = 1"

DATE:

4-20-2011

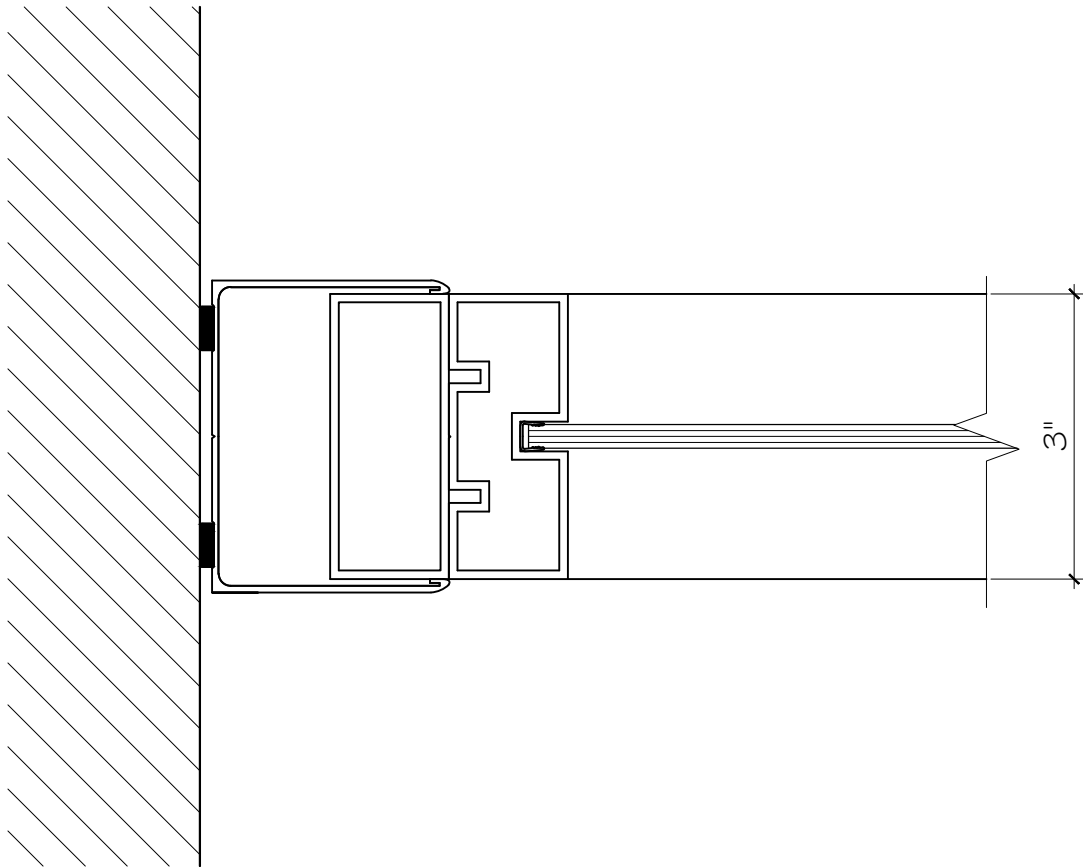
DRAWING NAME:

AW-SP-WC-11

ARCHITECTURAL WALLS
 Solid Panel - Wall Condition
 1/2" Recessed Connection

DRAWING NO.

11



1
12
 GLAZED PANEL - WALL CONDITION
 SECTION



SCALE:

1/2" = 1"

DATE:

4-20-2011

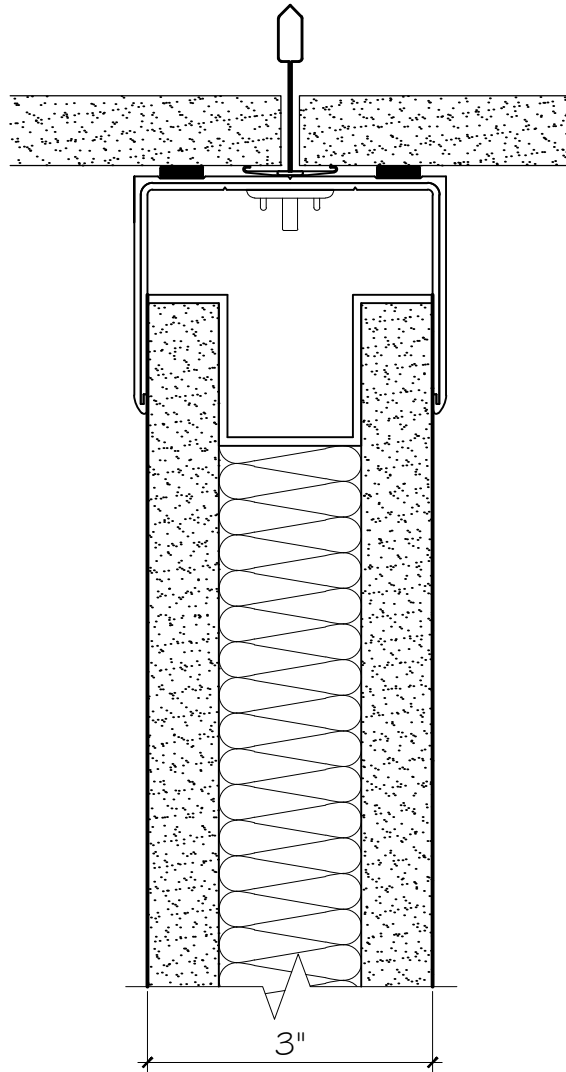
DRAWING NAME:

AW-GP-WC-12

ARCHITECTURAL WALLS
 Glazed Panel - Wall Condition
 1/2" Recessed Connection

DRAWING NO.

12



1
13

SOLID PANEL - CEILING CONDITION
SECTION



SCALE:
1/2" = 1"

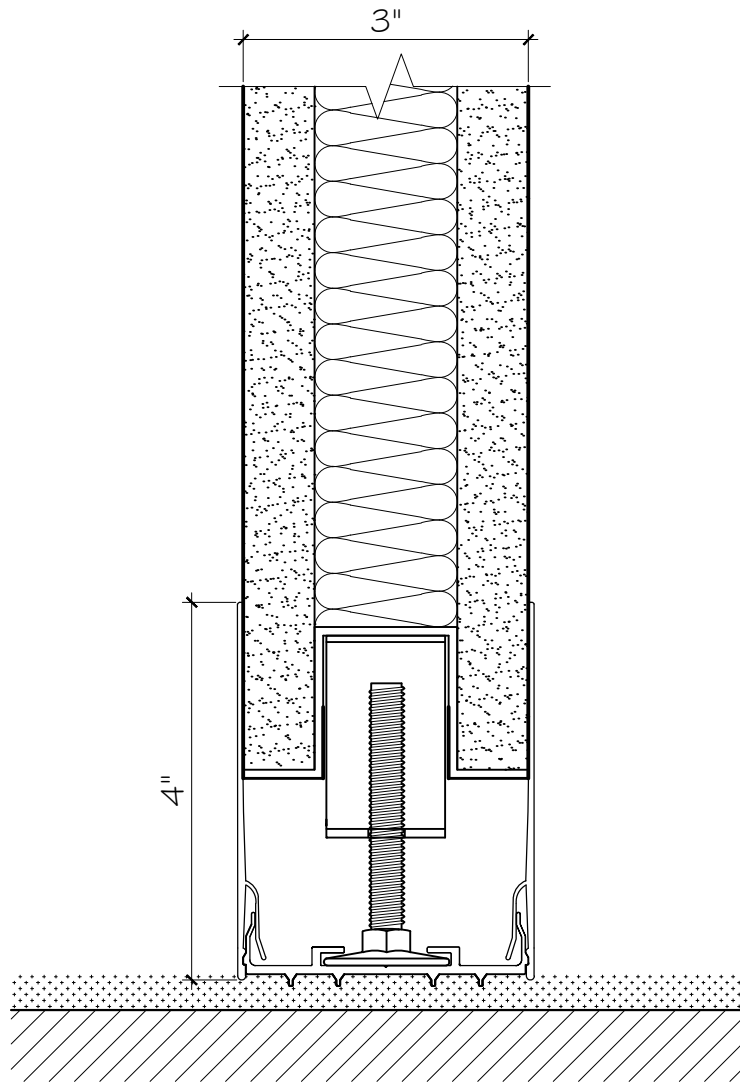
DATE:
4-20-2011

DRAWING NAME:
AW-SP-CC-13

ARCHITECTURAL WALLS
Solid Panel - Ceiling Condition
1/2" Recessed Connection

DRAWING NO.

13



1
14

SOLID PANEL - FLOOR CONDITION
SECTION



SCALE:
1/2" = 1"

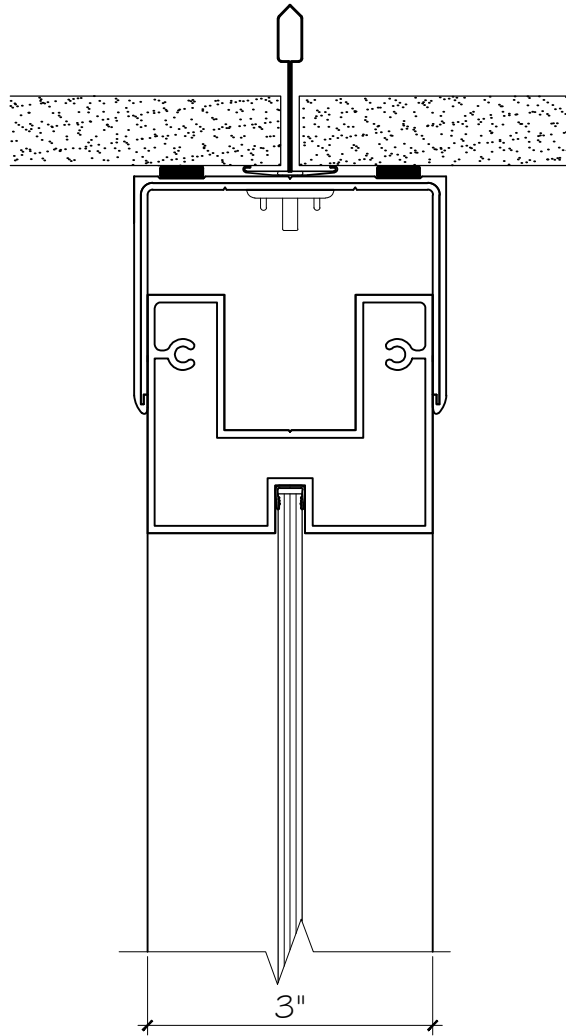
DATE:
4-20-2011

DRAWING NAME:
AW-SP-FC-14

ARCHITECTURAL WALLS
Solid Panel - Floor Condition
1/2" Recessed Connection

DRAWING NO.

14



1
15 GLAZED PANEL - CEILING CONDITION SECTION

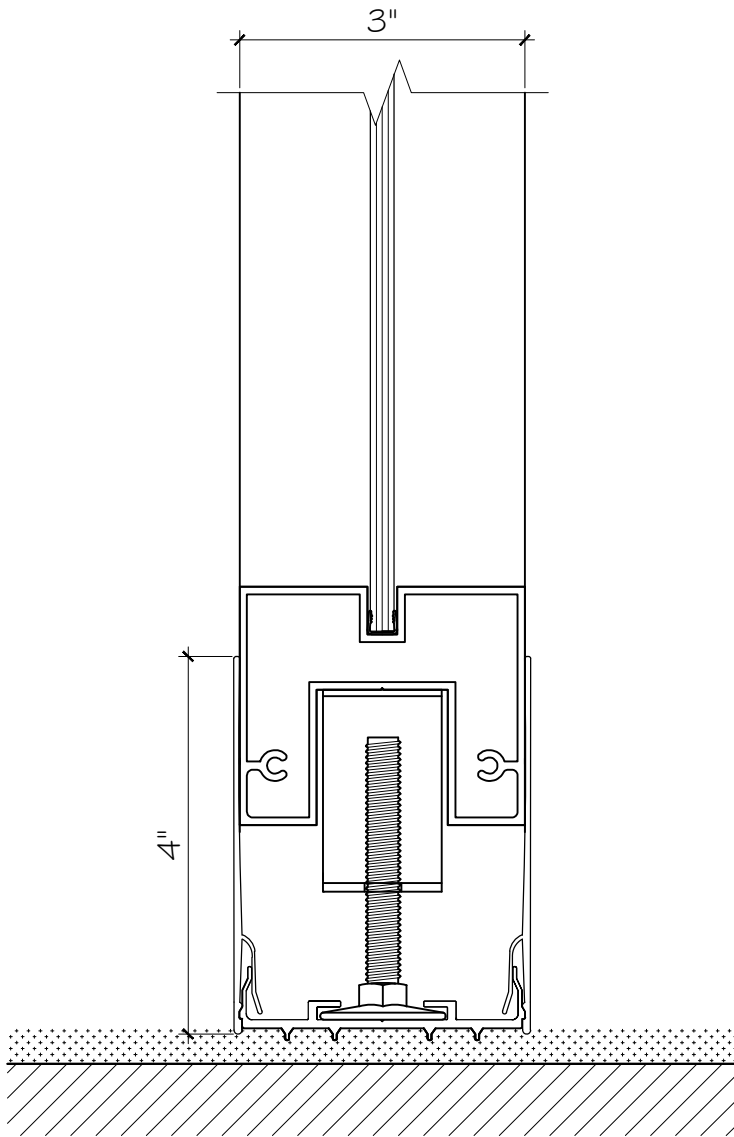


SCALE:
1/2" = 1"
DATE:
4-20-2011
DRAWING NAME:
AW-GP-CC-15

ARCHITECTURAL WALLS
Glazed Panel - Ceiling Condition
1/2" Recessed Connection

DRAWING NO.

15



1
16 GLAZED PANEL - FLOOR CONDITION SECTION

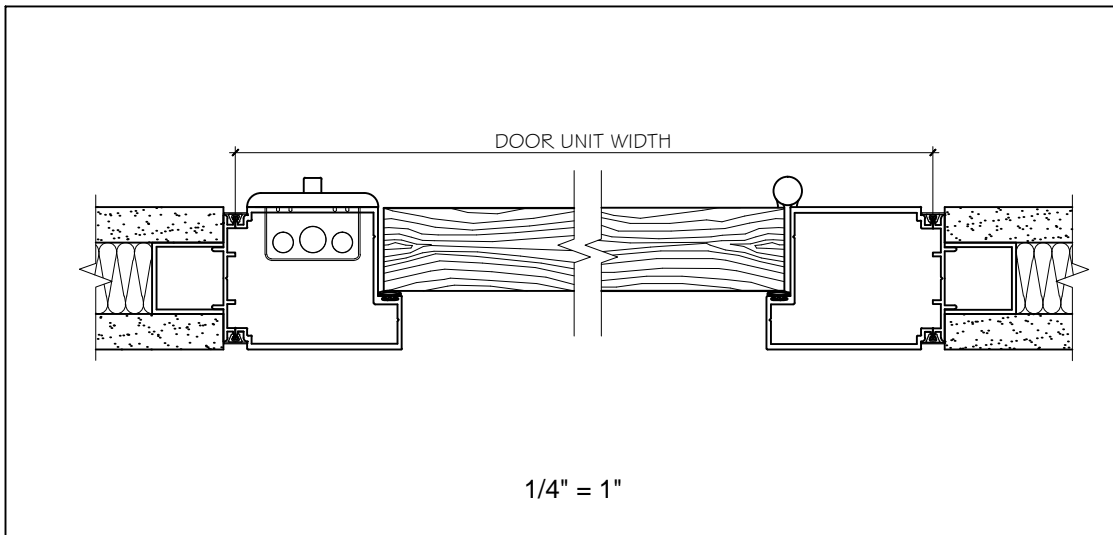
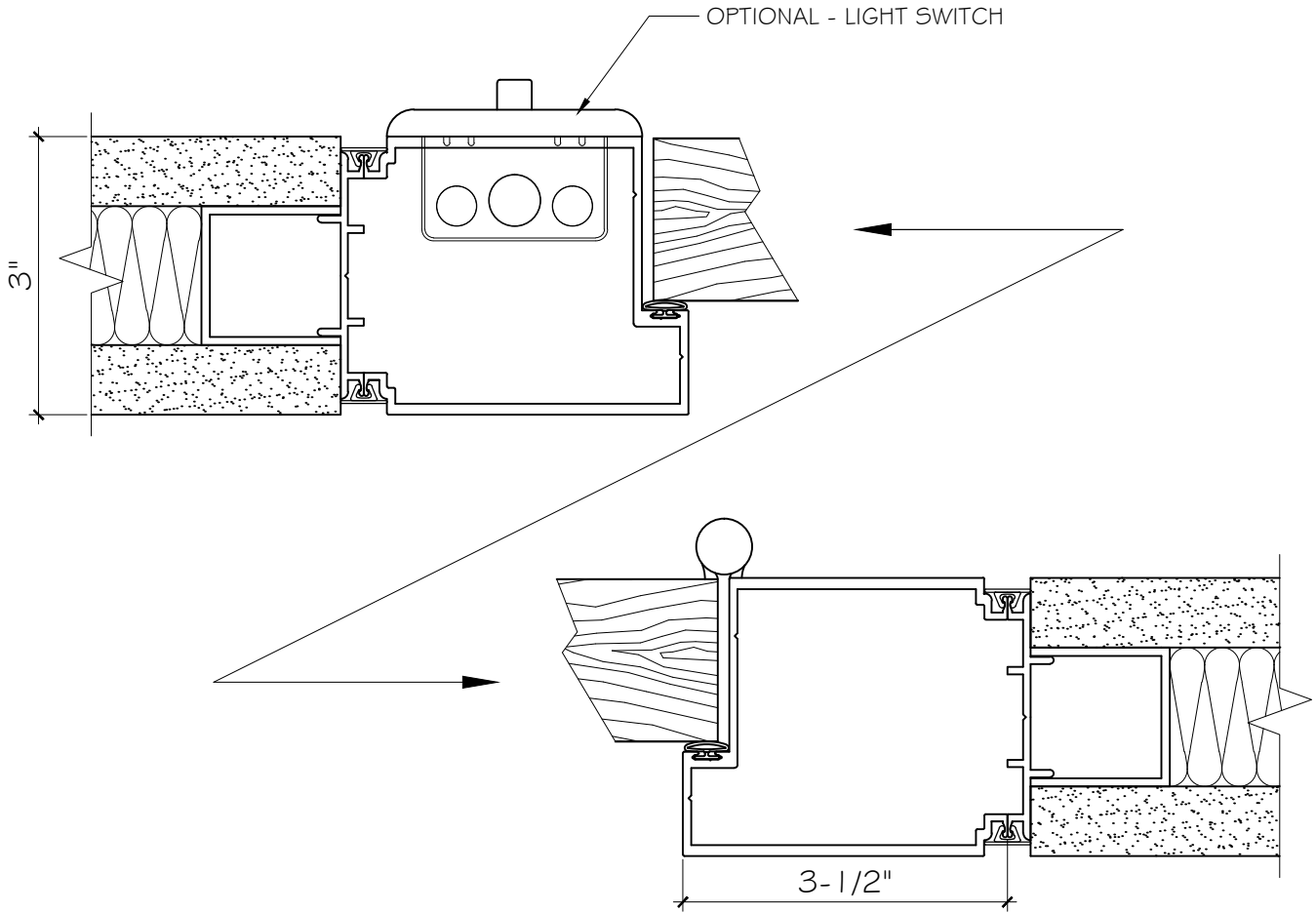


SCALE:
1/2" = 1"
DATE:
4-20-2011
DRAWING NAME:
AW-GP-FC-16

ARCHITECTURAL WALLS
Glazed Panel - Floor Condition
1/2" Recessed Connection

DRAWING NO.

16



1
17

3" DOOR FRAME SECTION



SCALE:
1/2" = 1"

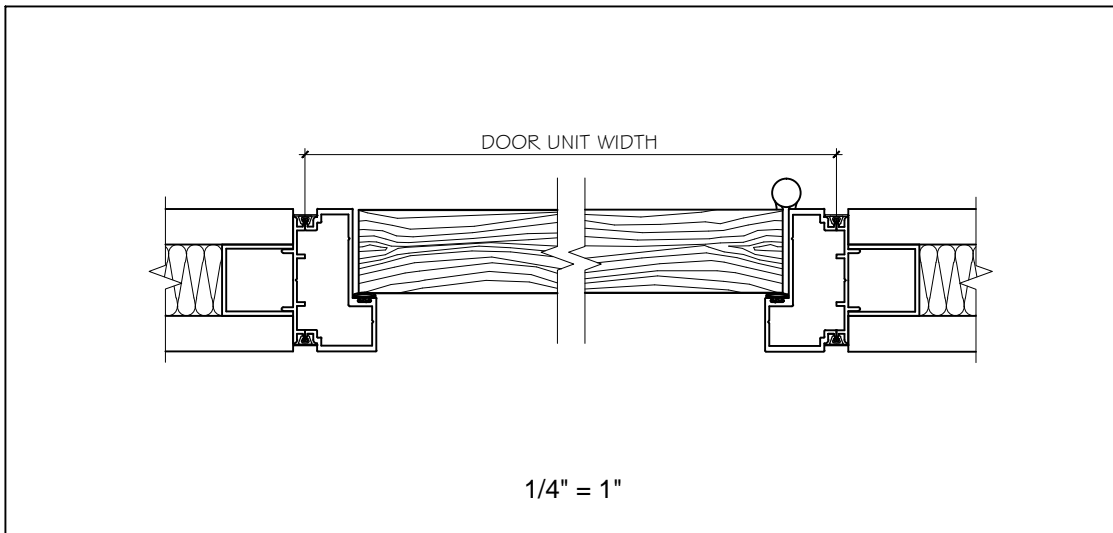
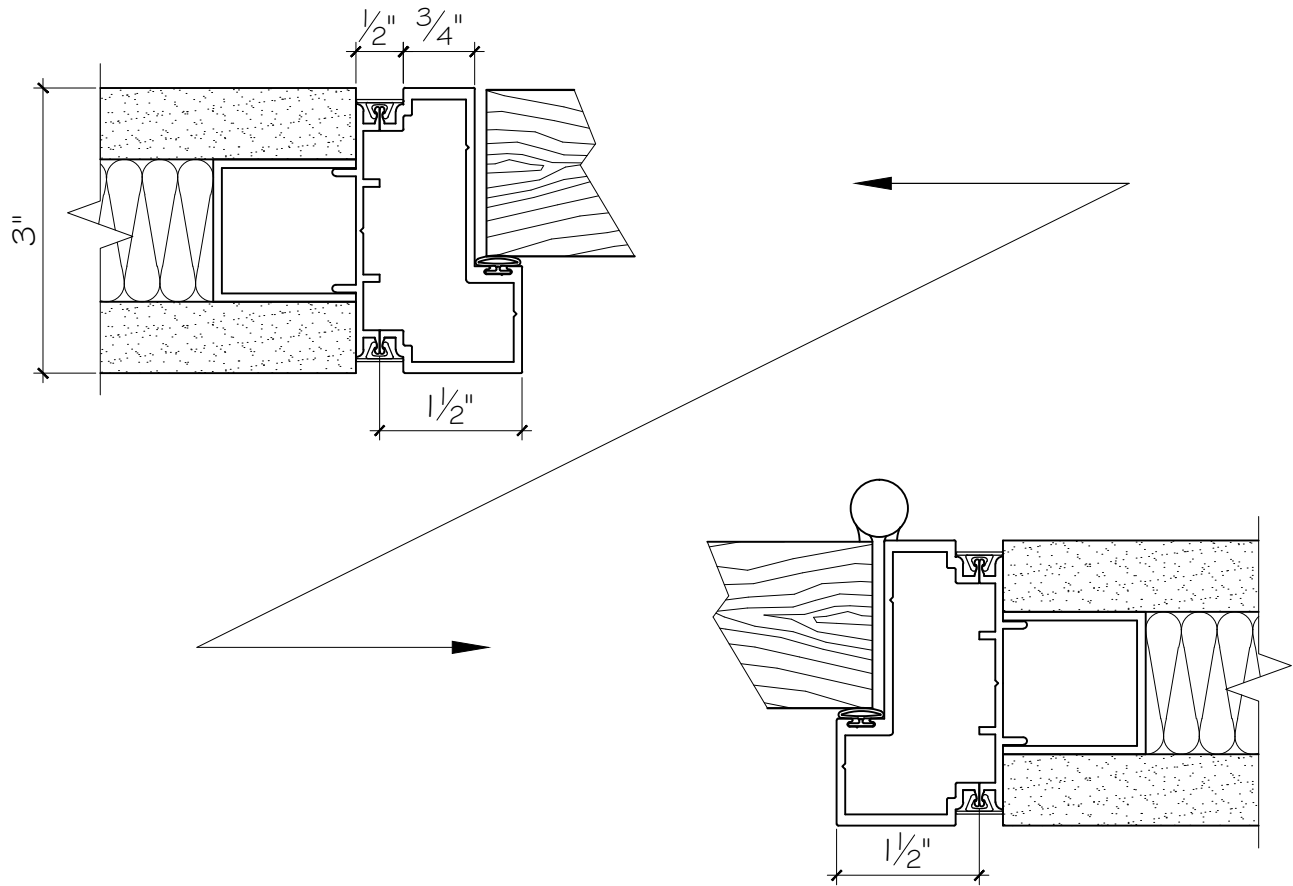
DATE:
4-20-2011

DRAWING NAME:
AW-3DF-17

ARCHITECTURAL WALLS
3" Door Frame
1/2" Recessed Connection

DRAWING NO.

17



1
18

1 1/4" DOOR FRAME
SECTION



SCALE:
1/2" = 1"

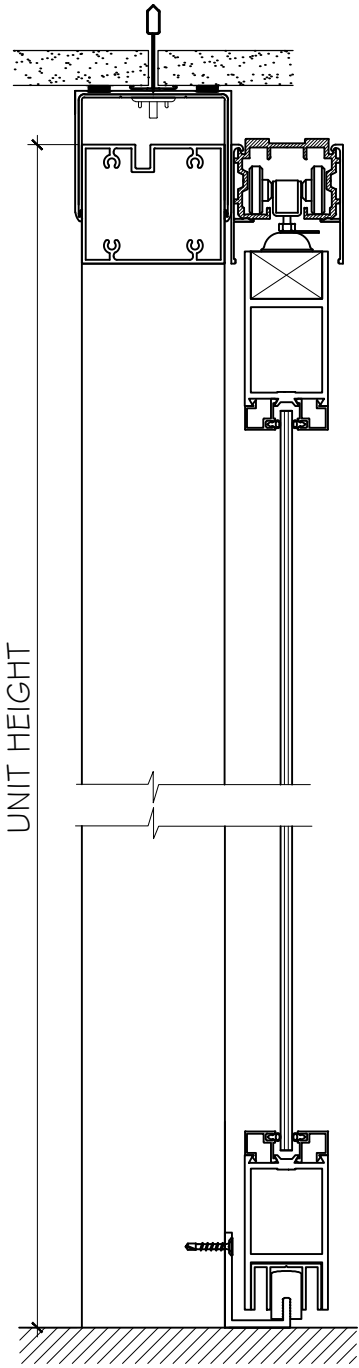
DATE:
4-20-2011

DRAWING NAME:
AW-1.25DF-18

ARCHITECTURAL WALLS
1 1/4" Door Frame
1/2" Recessed Connection

DRAWING NO.

18



1 BARN DOOR
19 SECTION-A

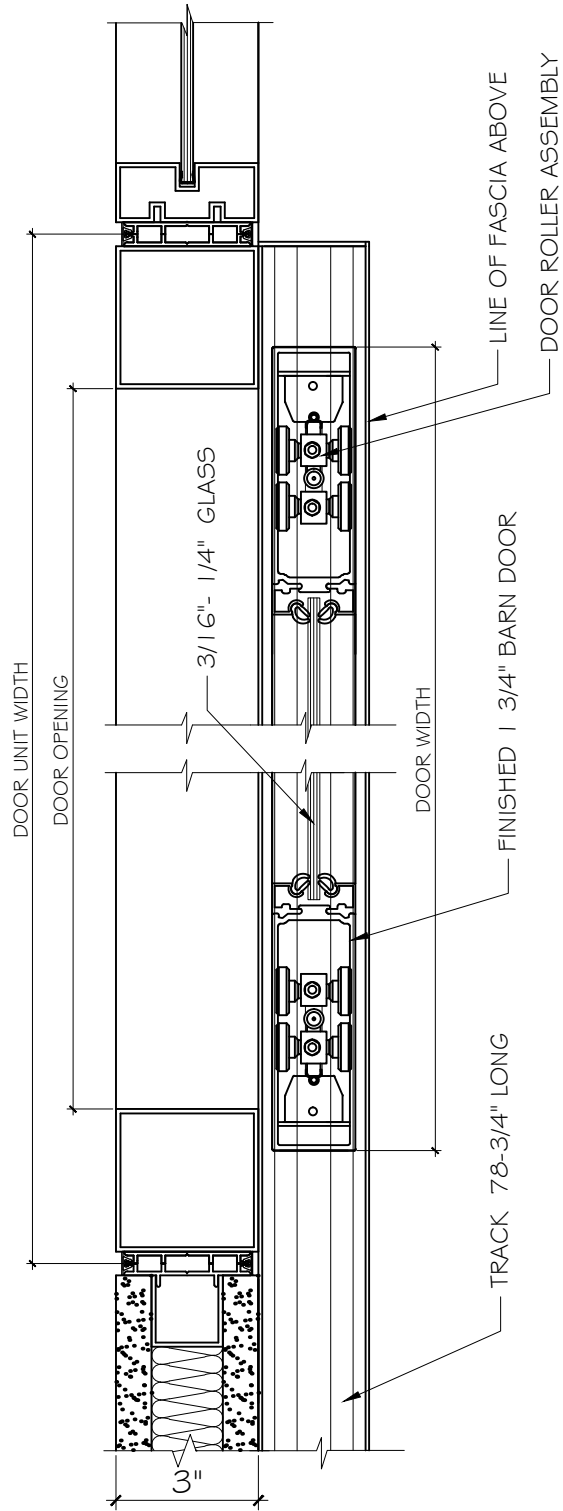


SCALE:
1/2" = 1"
DATE:
4-20-2011
DRAWING NAME:
AW-BD-SA-19

ARCHITECTURAL WALLS
Barn Door
1/2" Recessed Connection

DRAWING NO.

19



1 BARN DOOR / 3" DOOR FRAME
 20 SECTION-B

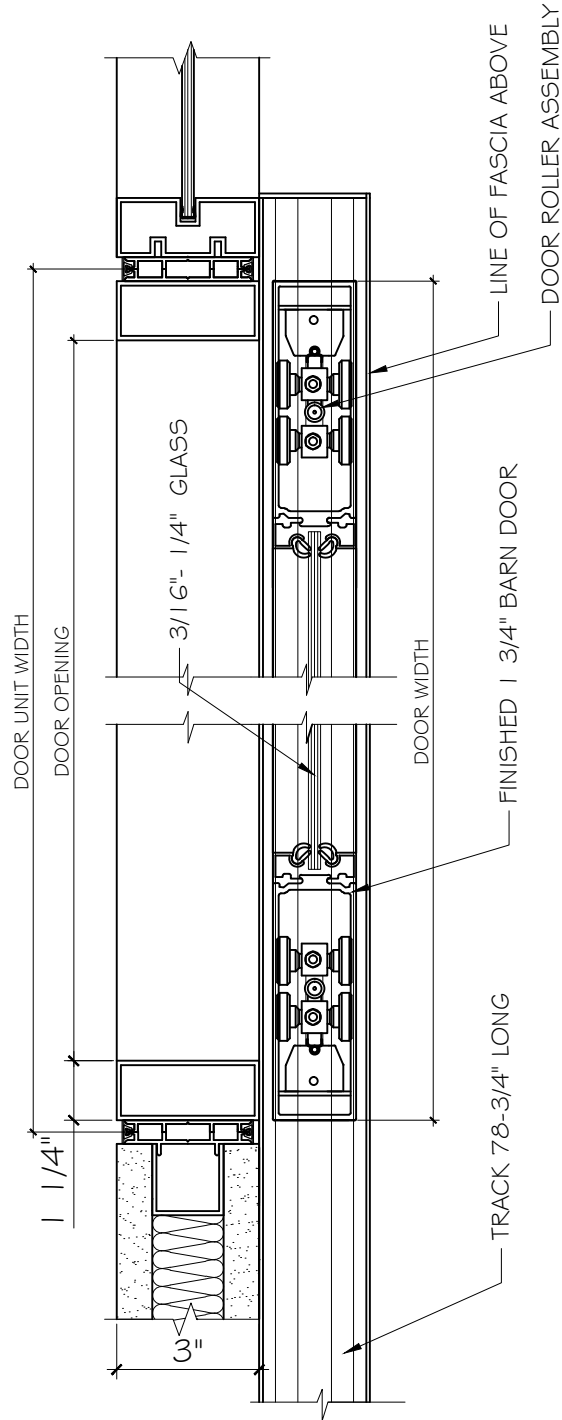


SCALE:
 1/4" = 1"
 DATE:
 4-20-2011
 DRAWING NAME:
 AW-BD-SB-3-20

ARCHITECTURAL WALLS
 Barn Door - 3" Door Frame
 1/2" Recessed Connection

DRAWING NO.

20



1 BARN DOOR / 1 1/4" DOOR FRAME
 21 SECTION-B2

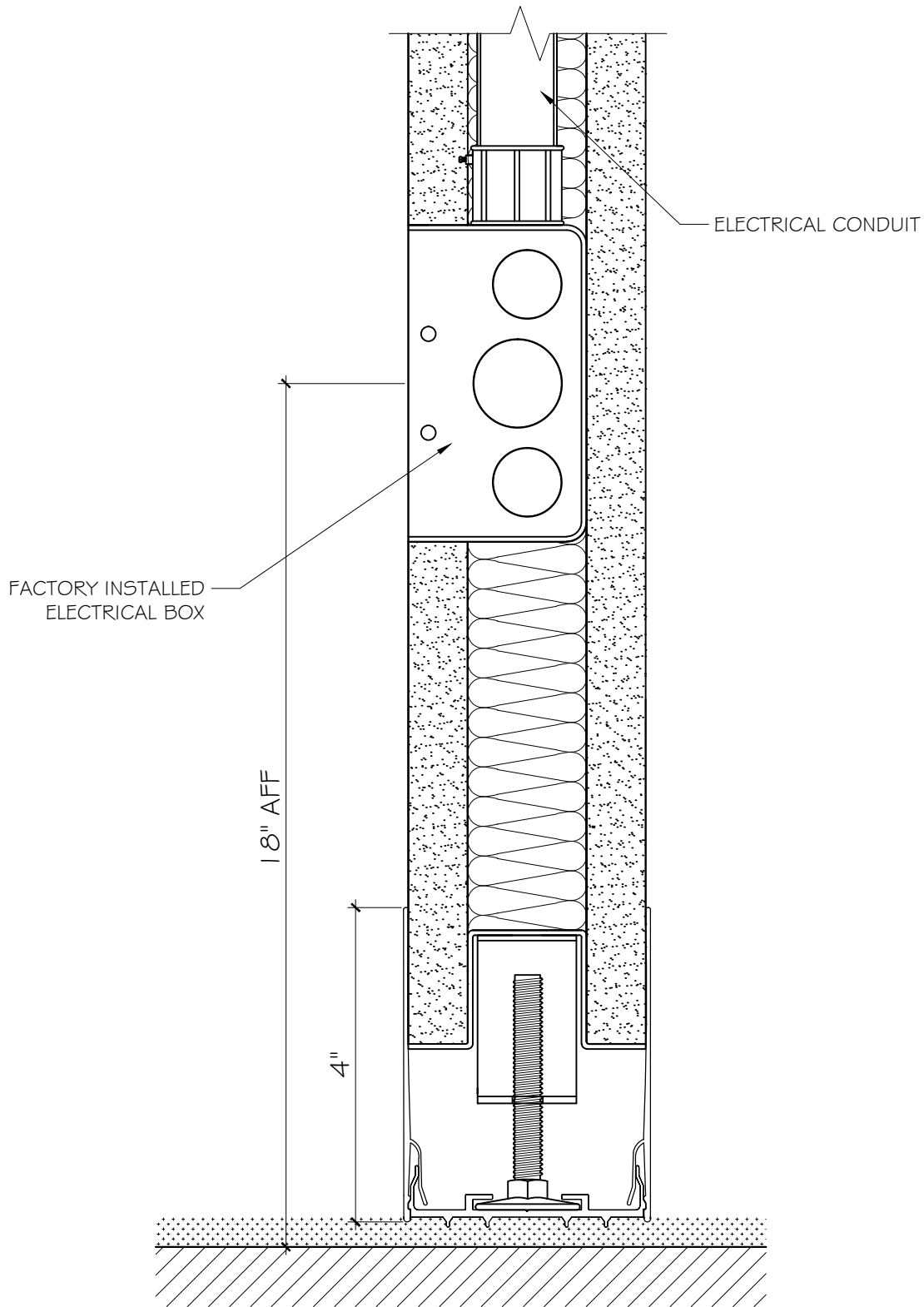


SCALE:
 1/4" = 1"
 DATE:
 4-20-2011
 DRAWING NAME:
 AW-BD-SB2-1.25-20

ARCHITECTURAL WALLS
 Barn Door - 1 1/4" Door Frame
 1/2" Recessed Connection

DRAWING NO.

21



1
22

FACTORY INSTALLED ELECTRICAL BOX SECTION



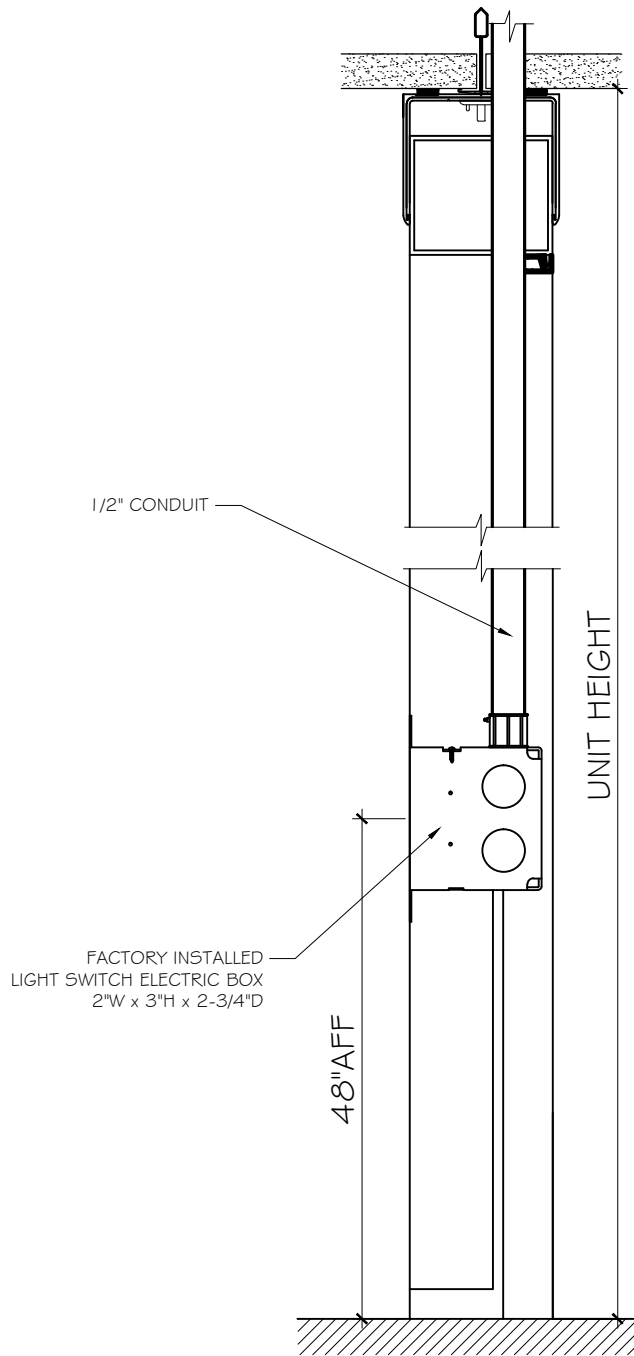
SCALE:
1/2" = 1"

DATE:
4-20-2011

DRAWING NAME:
AW-EB-22

ARCHITECTURAL WALLS
Electrical Box Condition
1/2" Recessed Connection

DRAWING NO.
22



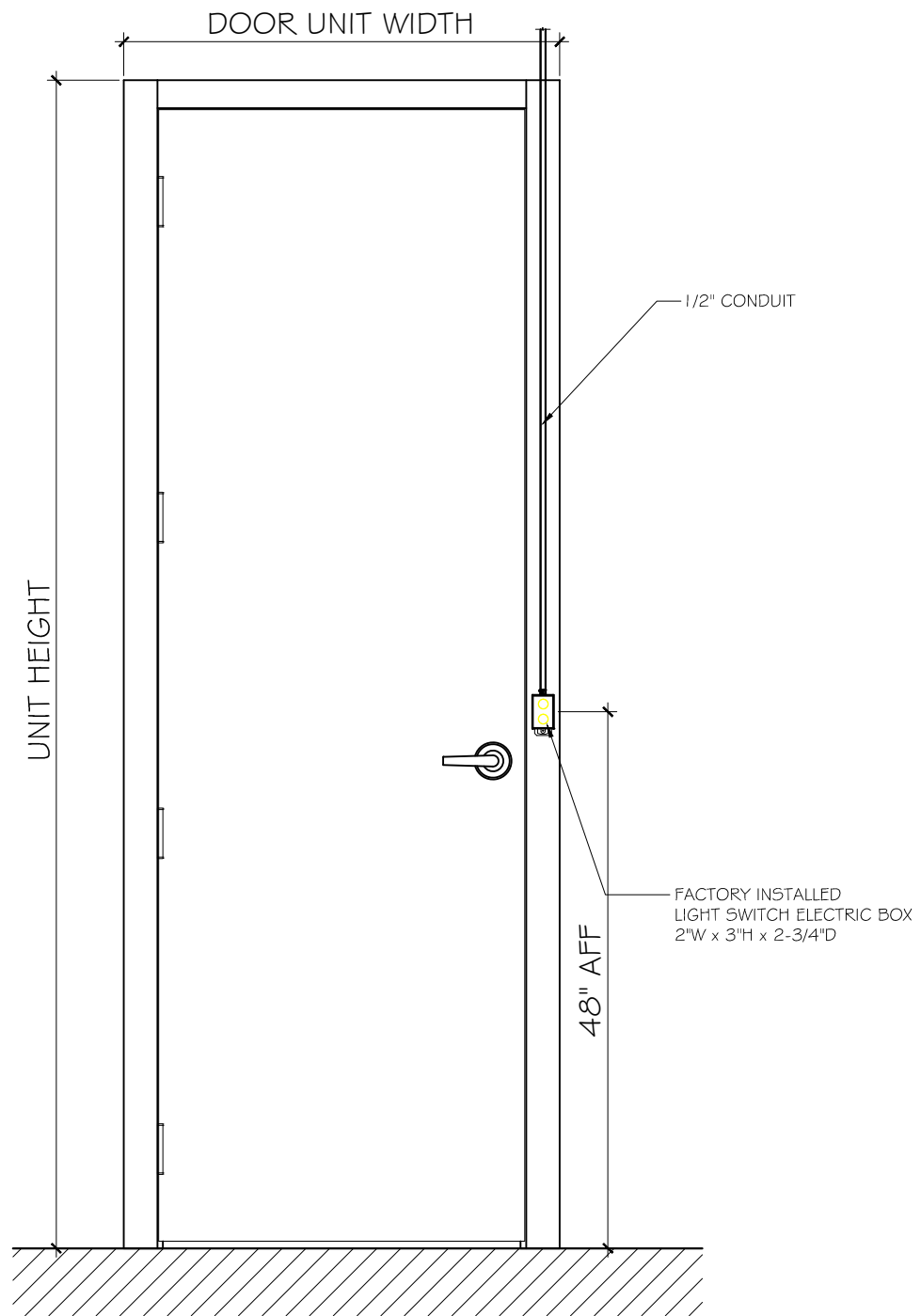
1 SWING DOOR / LIGHT BOX
23 SECTION



SCALE:
1/4" = 1"
DATE:
4-20-2011
DRAWING NAME:
AW-SDF-LB-22

ARCHITECTURAL WALLS
SWING DOOR FRAME / LIGHT BOX
1/2" Recessed Connection

DRAWING NO.
23



1 SWING DOOR / LIGHT BOX
24 ELEVATION

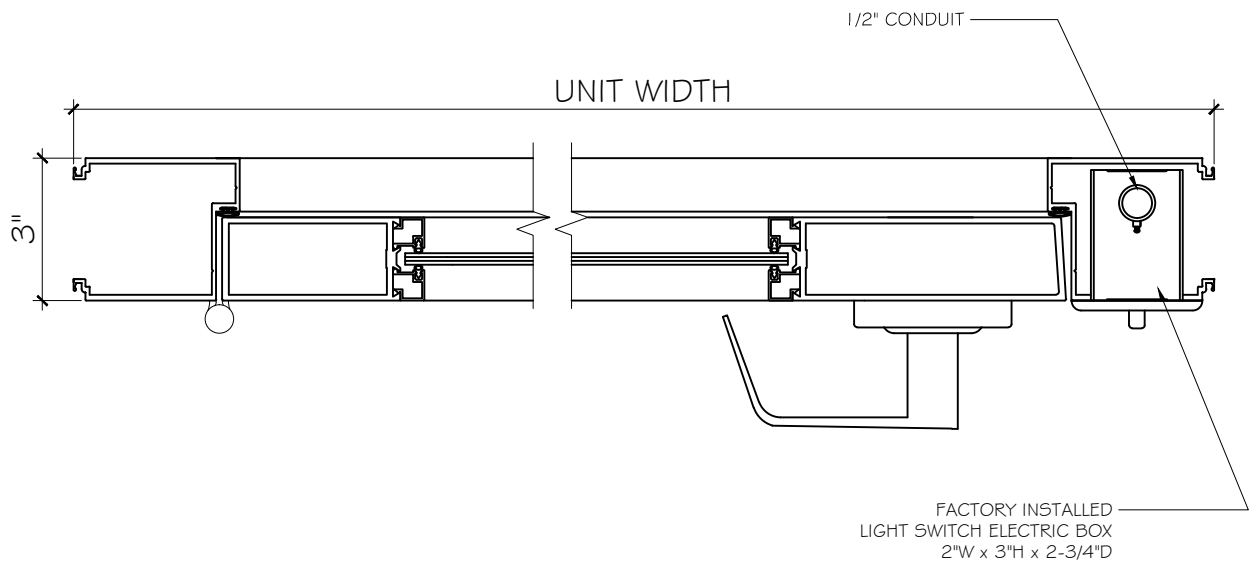


SCALE:
1/16" = 1"
DATE:
4-20-2011
DRAWING NAME:
AW-SDF-LB-22A

ARCHITECTURAL WALLS
SWING DOOR FRAME / LIGHT BOX
1/2" Recessed Connection

DRAWING NO.

24



1
25 SWING DOOR / LIGHT BOX
SECTION



SCALE:
1/4" = 1"

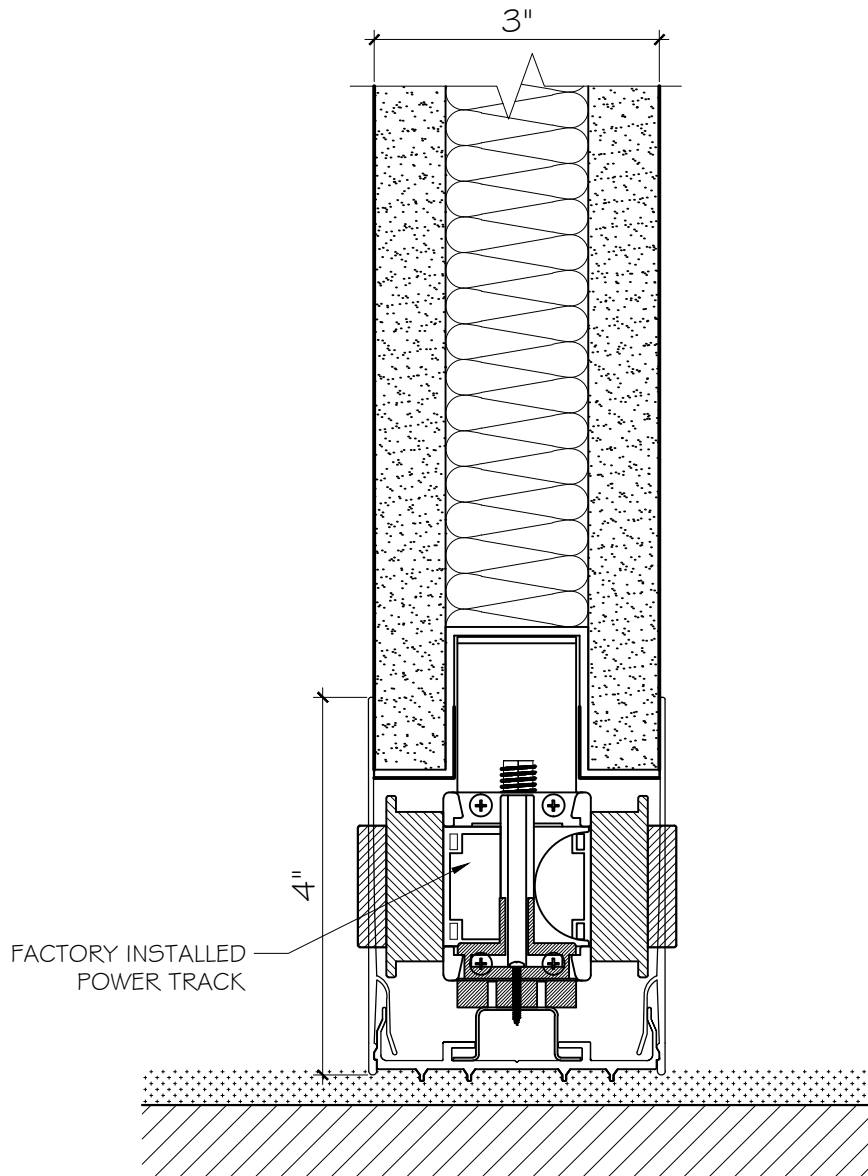
DATE:
4-20-2011

DRAWING NAME:
AW-SDF-LB-22B

ARCHITECTURAL WALLS
SWING DOOR FRAME / LIGHT BOX
1/2" Recessed Connection

DRAWING NO.

25



1
26

SOLID PANEL - POWER TRACK SECTION



SCALE:

1/2" = 1"

DATE:

4-20-2011

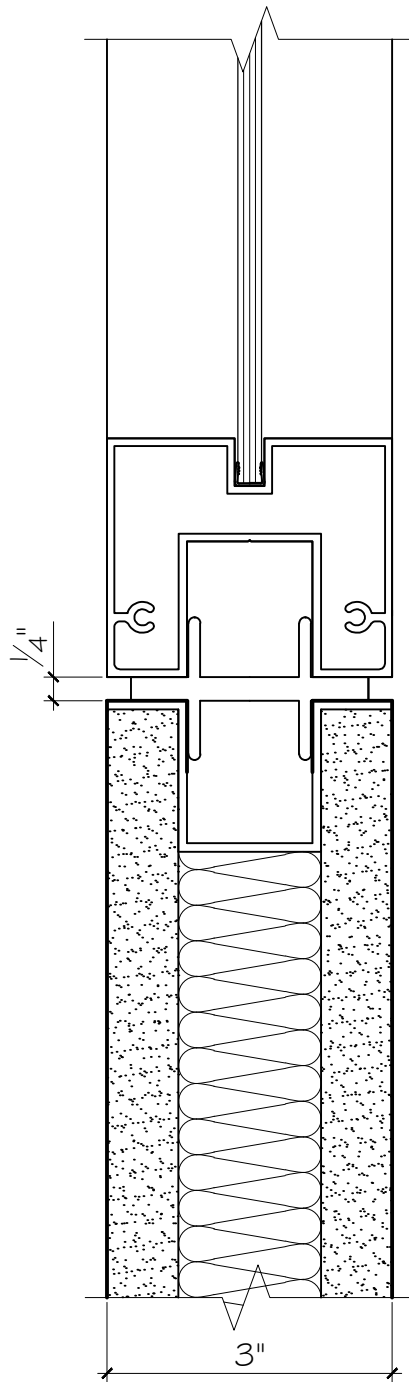
DRAWING NAME:

AW-PT-23

ARCHITECTURAL WALLS
Raceway Power Track

DRAWING NO.

26



1
27 TYP. HORIZONTAL REVEAL SECTION



SCALE:

1/2" = 1"

DATE:

4-20-2011

DRAWING NAME:

AW-HR-27

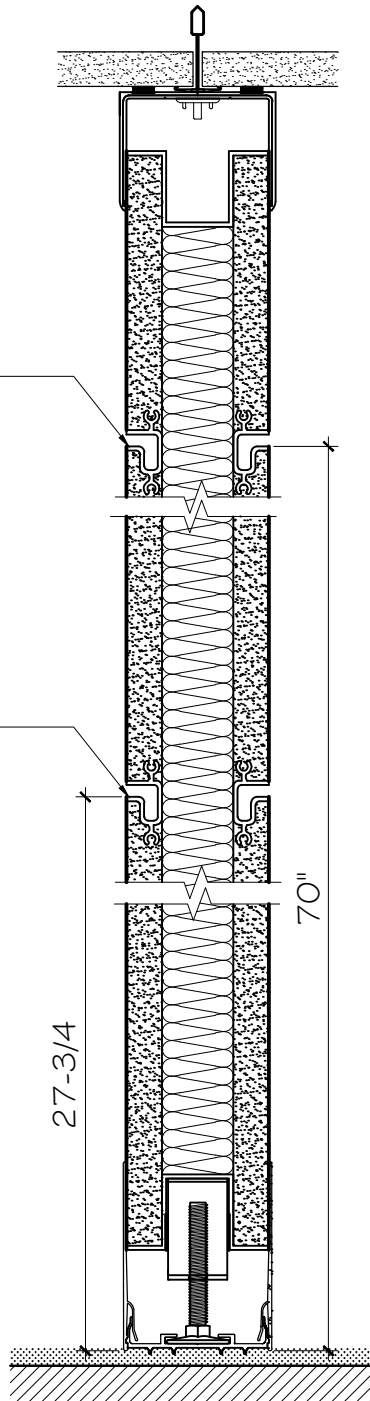
ARCHITECTURAL WALLS
TYP. HORIZONTAL REVEAL

DRAWING NO.

27

INTEGRATED HORIZONTAL
FURNITURE HANGER BAR.
TYPE DIFFERS BY MANUFACTURER

INTEGRATED HORIZONTAL
FURNITURE HANGER BAR.
TYPE DIFFERS BY MANUFACTURER



1
28

SOLID PANEL
SECTION



SCALE:

NTS

DATE:

4-20-2011

DRAWING
NAME:

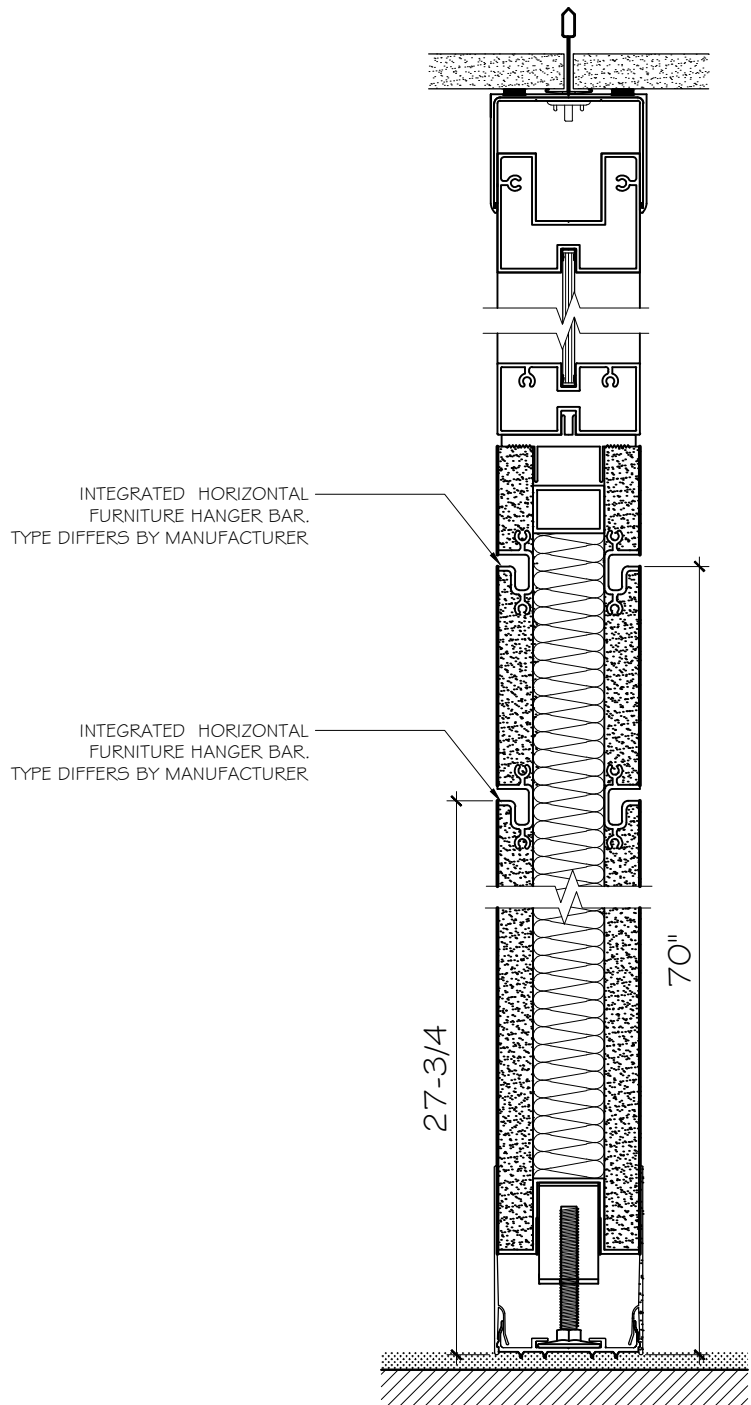
AW-SP-28

ARCHITECTURAL WALLS

SOLID PANEL
FURNITURE HANGER

DRAWING
NO.

28



1 CLEARSTORY PANEL SECTION
29



SCALE:
NTS

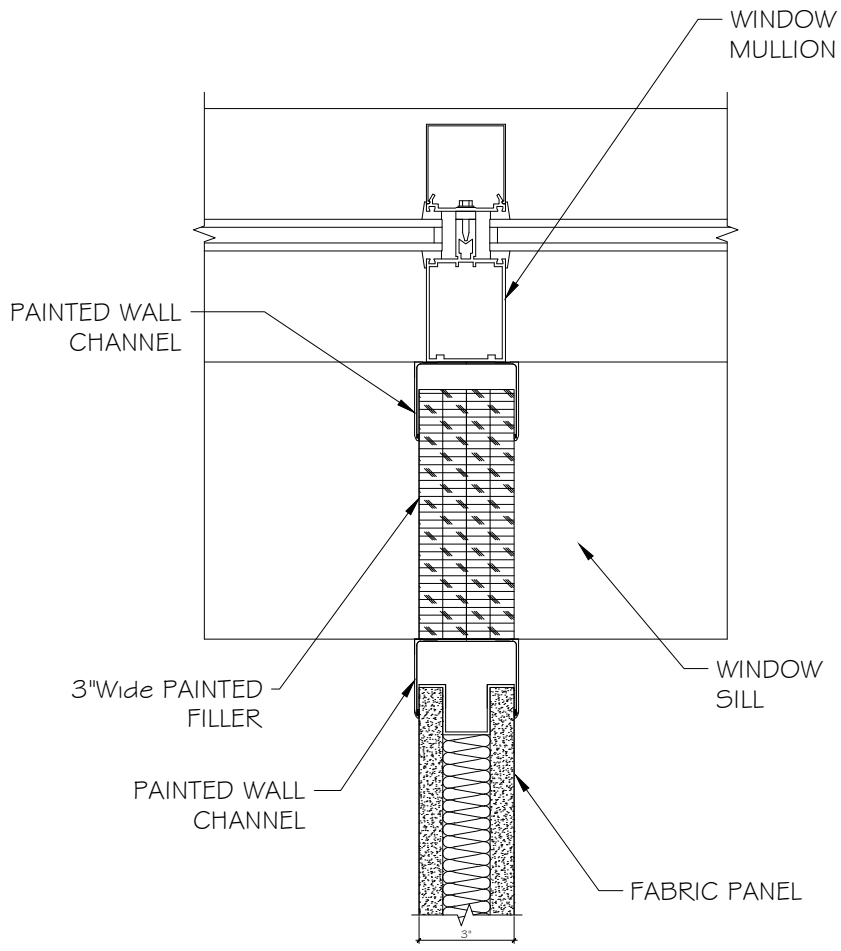
DATE:
4-20-2011

DRAWING NAME:
AW-CP-29

ARCHITECTURAL WALLS

CLEARSTORY PANEL FURNITURE HANGER

DRAWING NO.
29



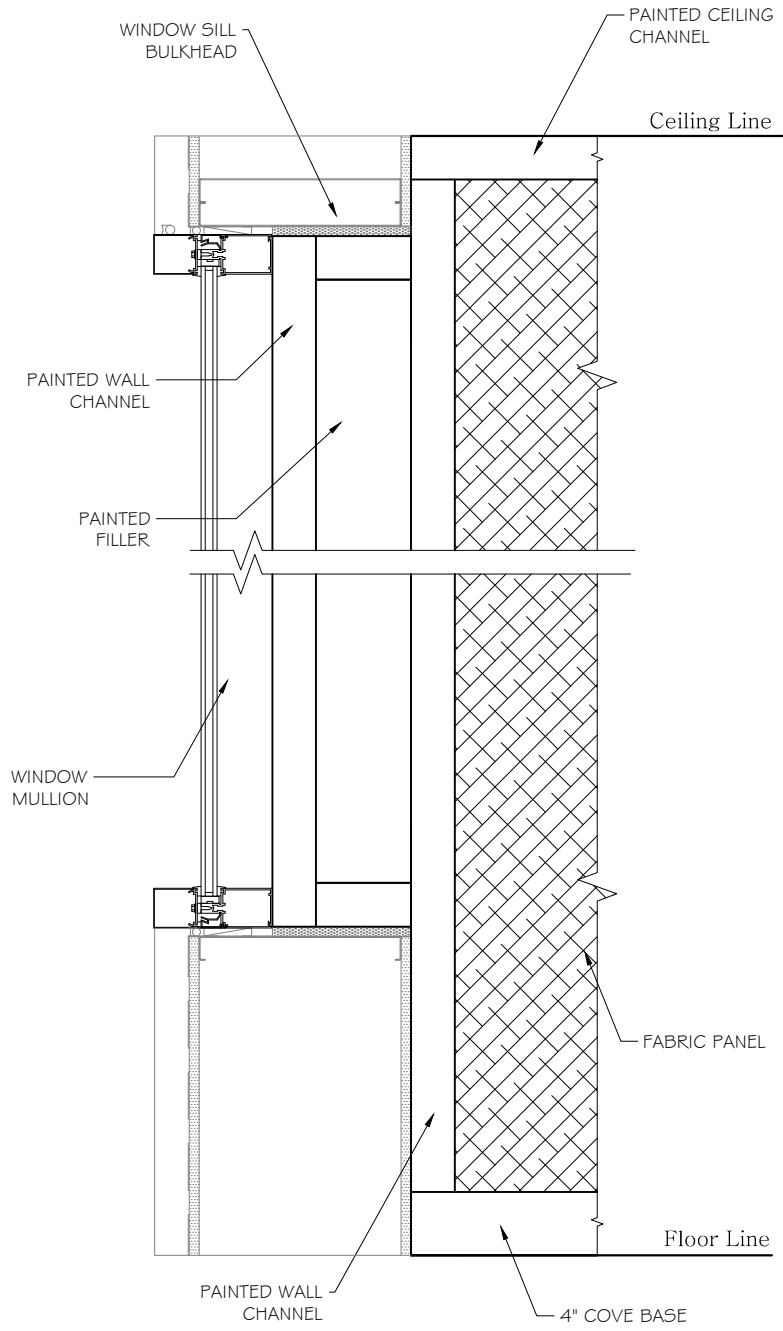
1 FABRIC PANEL - TYP. WINDOW SILL- SOLUTION (1)
 32a PLAN



SCALE:
 NTS
 DATE:
 3-18-2013
 DRAWING
 NAME:
 AW-SP-32a

**ARCHITECTURAL
 WALLS**
 FABRIC PANEL
 TYP. WINDOW SILL-SOLUTION(1)

DRAWING
 NO.
32a



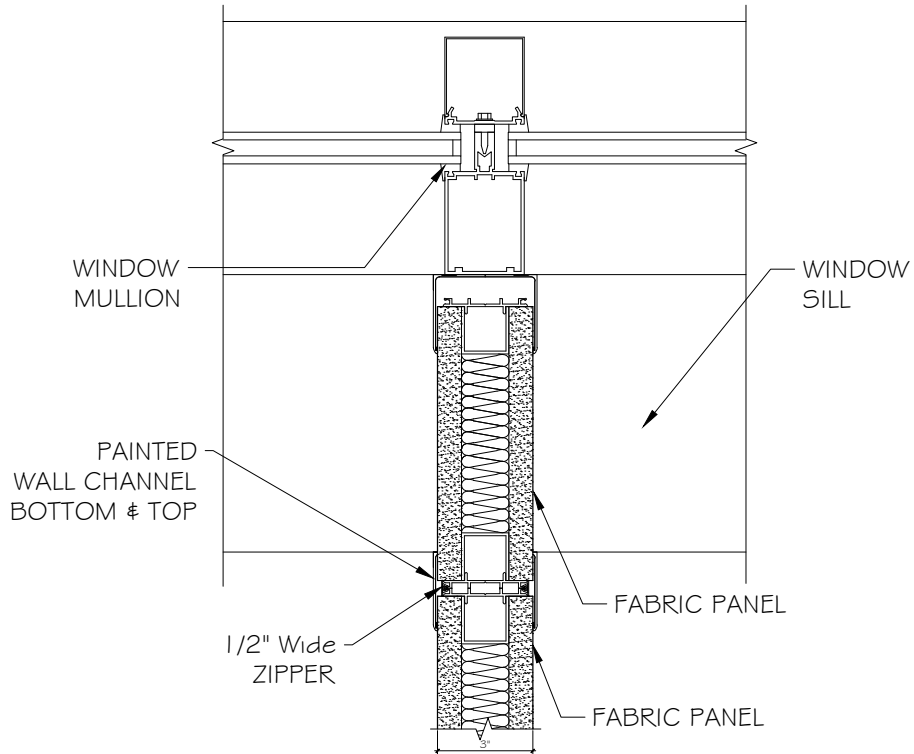
1 FABRIC PANEL - TYP. WINDOW SILL - SOLUTION(1)
 32 ELEVATION



SCALE:
 NTS
 DATE:
 3-18-2013
 DRAWING
 NAME:
 AW-FP-32

**ARCHITECTURAL
 WALLS**
 FABRIC PANEL
 WINDOW SILL - SOLUTION (1)

DRAWING
 NO.
32



1
33a FABRIC PANEL - TYP. WINDOW SILL- SOLUTION (1)
PLAN

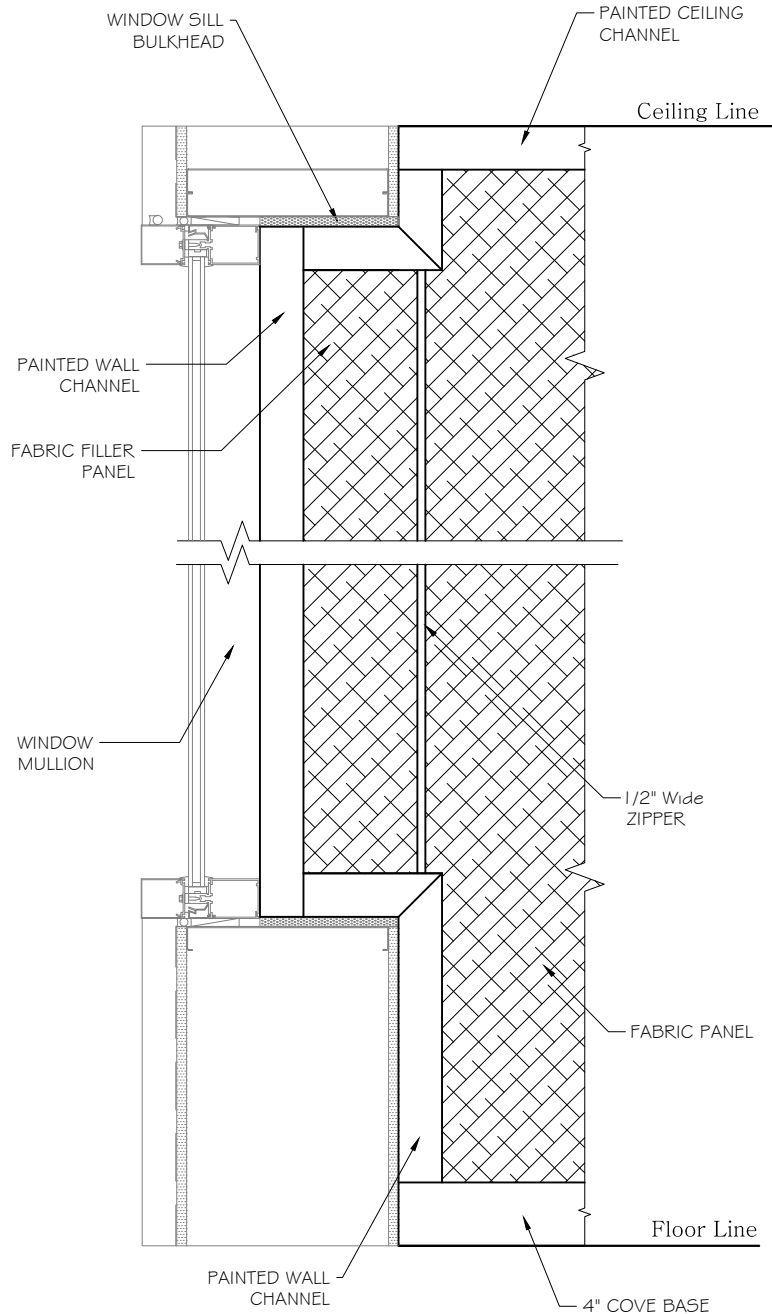


SCALE:
NTS
DATE:
3-18-2013
DRAWING
NAME:
AW-SP-33a

**ARCHITECTURAL
WALLS**
FABRIC PANEL
TYP. WINDOW SILL-SOLUTION(2)

DRAWING
NO.

33a



1 FABRIC PANEL - TYP. WINDOW SILL- SOLUTION (2)
 33 ELEVATION



SCALE:
 NTS
 DATE:
 3-18-2013
 DRAWING
 NAME:
 AW-FP-33

**ARCHITECTURAL
 WALLS**
 FABRIC PANEL
 WINDOW SILL - SOLUTION (2)

DRAWING
 NO.
33