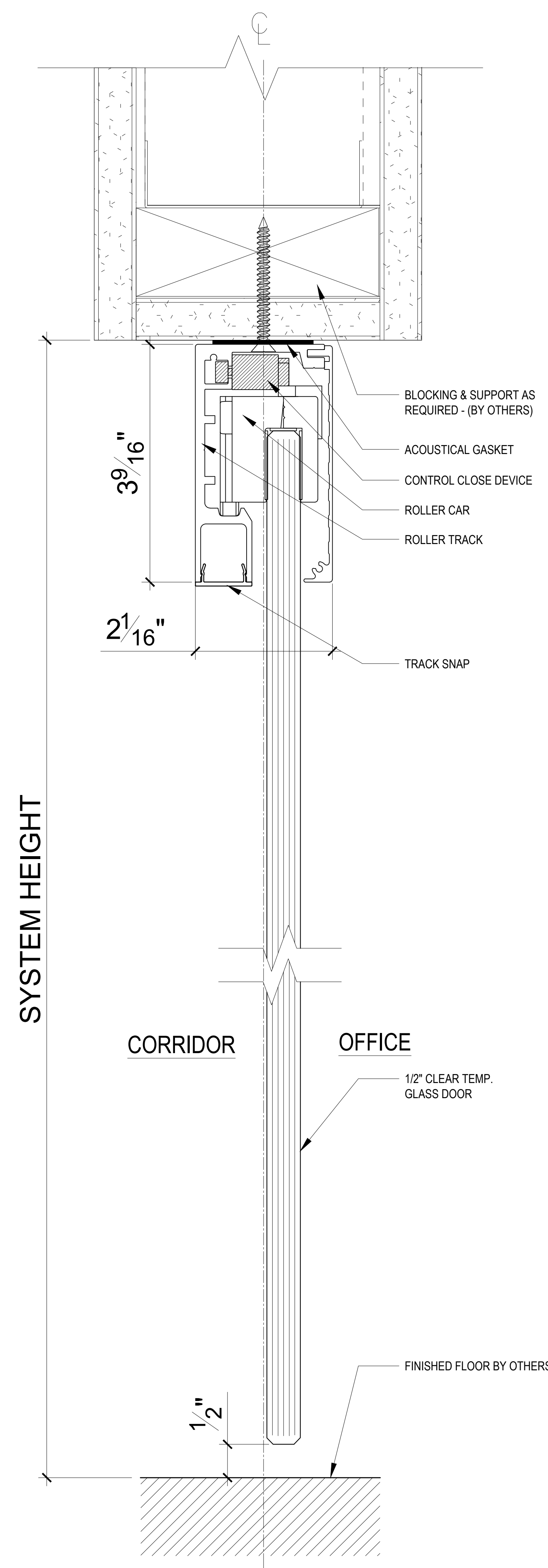
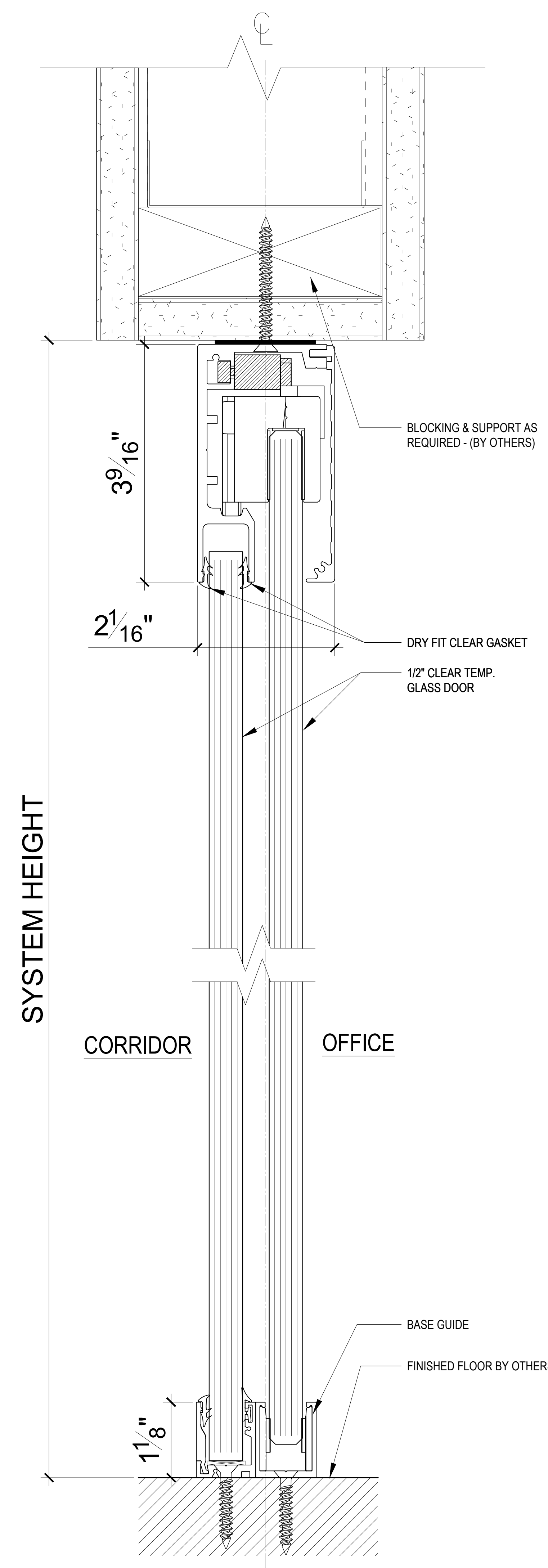


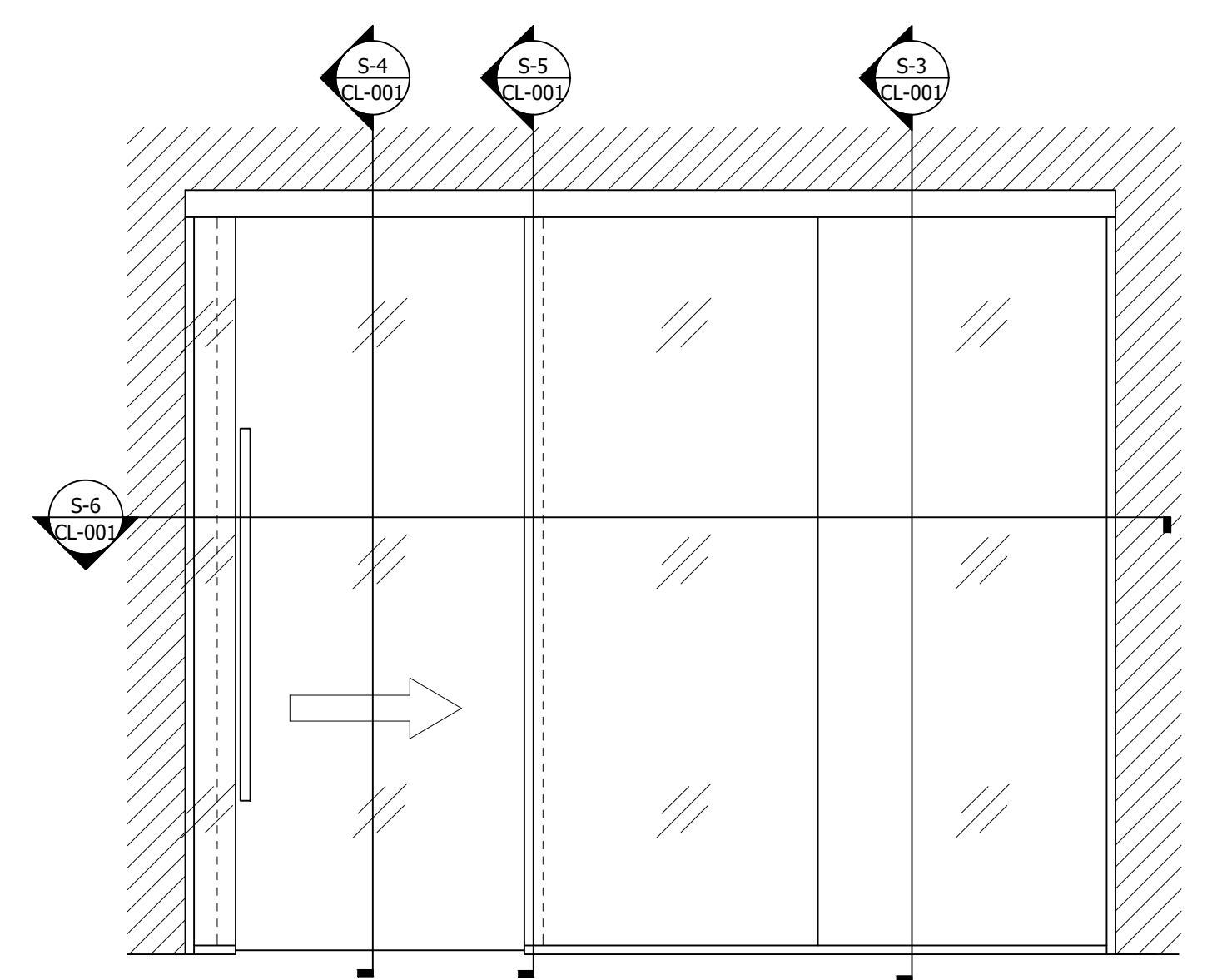
3 SECTION
Scale: 1 : 1



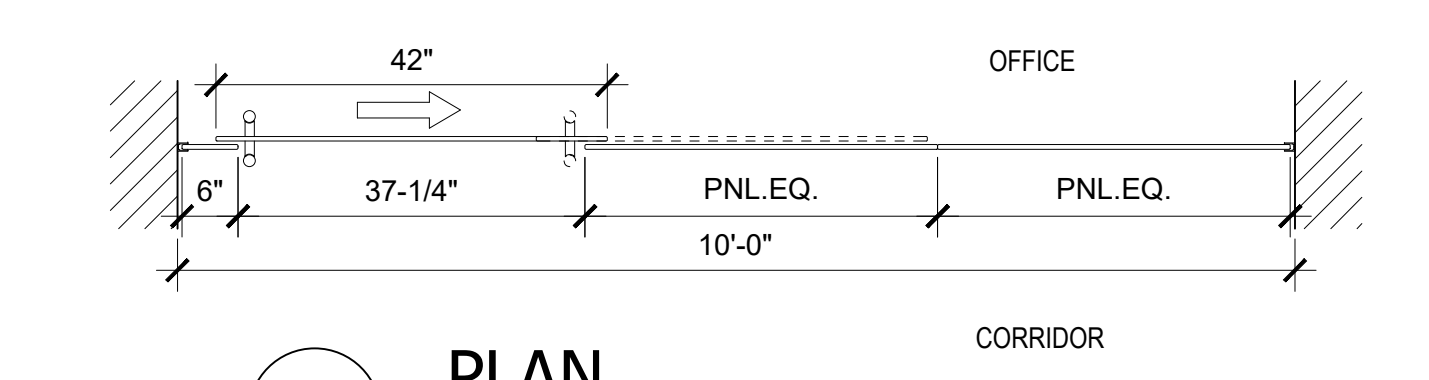
4 SECTION
Scale: 1 : 1



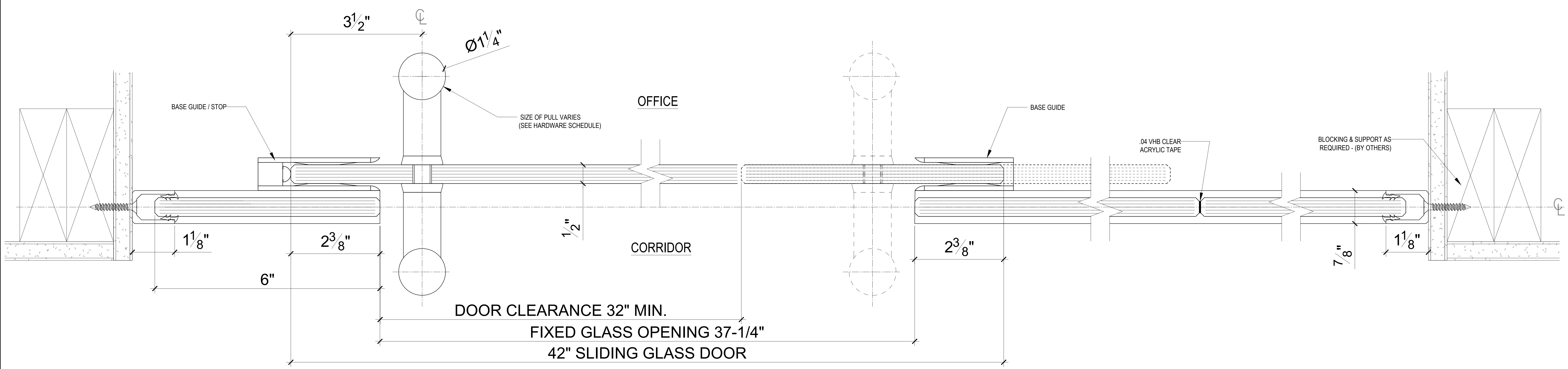
5 SECTION
Scale: 1 : 1



2 ELEVATION
Scale: 1 : 20



1 PLAN
Scale: 1 : 20



6 SECTION
Scale: 1 : 1

DOOR CLEARANCE 32" MIN.
FIXED GLASS OPENING 37-1/4"
42" SLIDING GLASS DOOR

CLARITY
BY NELLO

Title:
CLARITY DESIGN ELEMENTS
SLIDING DOOR DETAILS

Scale: AS NOTED	Date: 7/10/18	Drawing #: CL-001
--------------------	------------------	----------------------

In accordance with the law, we reserve the exclusivity rights of this drawing. Its reproduction or disclosure to third party is forbidden without our express authorization.

NELLO
WALL SYSTEMS

6685 Santa Barbara Ct.
Suite A
Elkridge, MD 21075
USA
<http://www.nellowall.com>
info@nellowall.com
410.579.8533