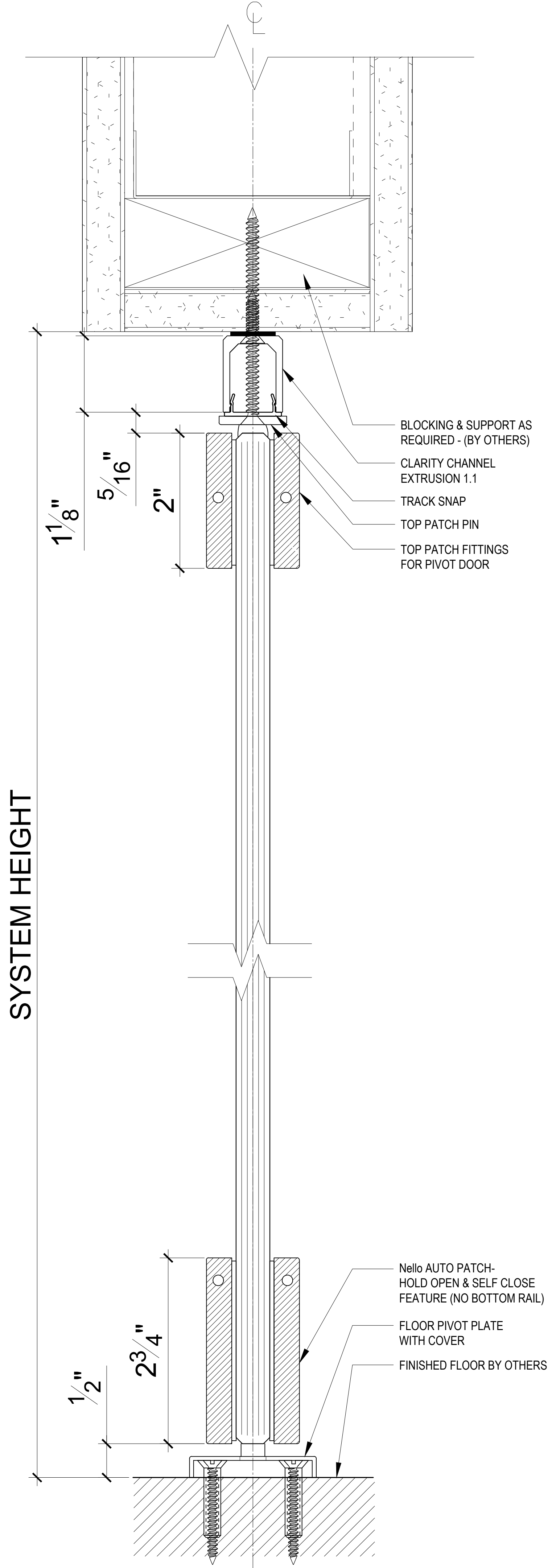
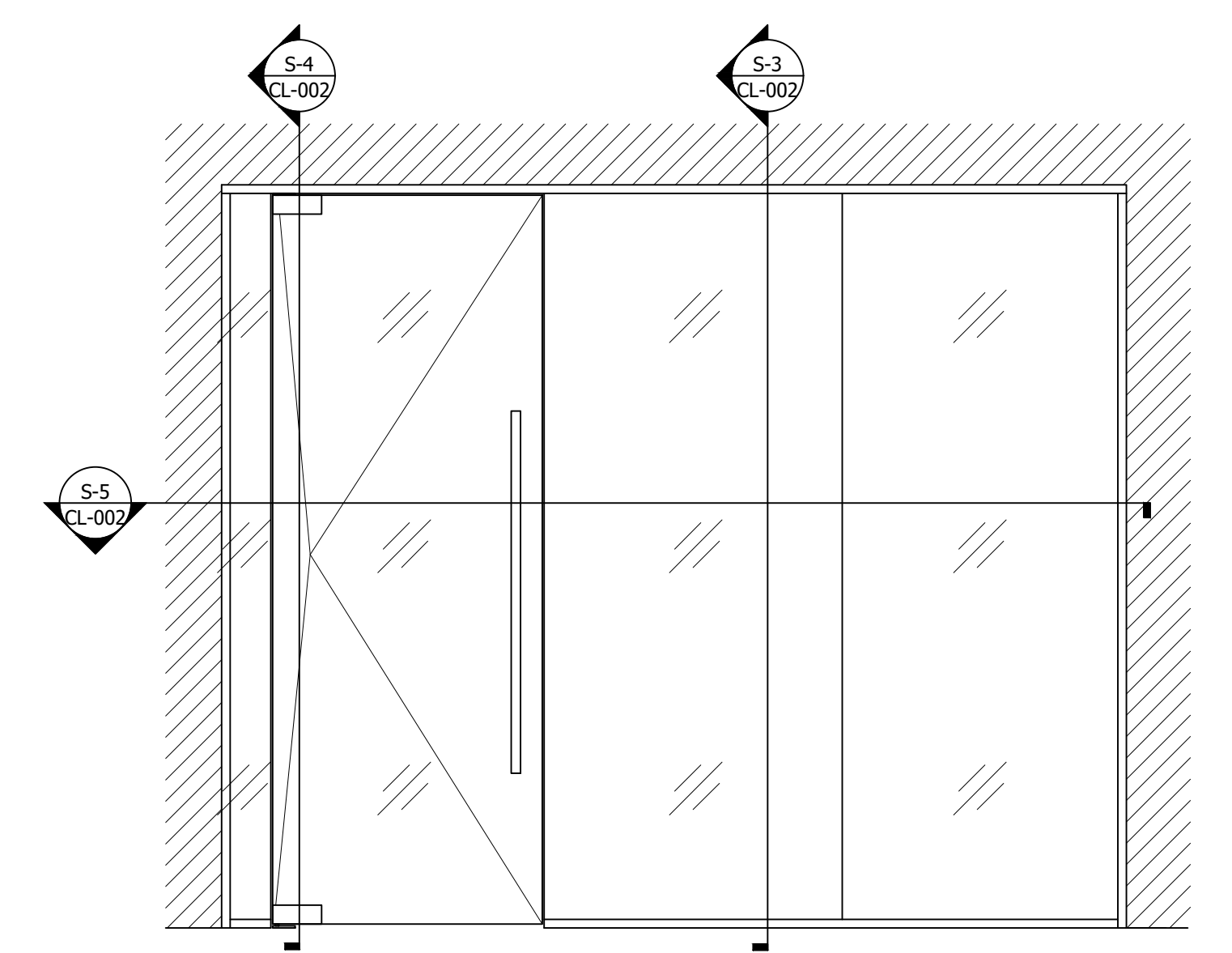


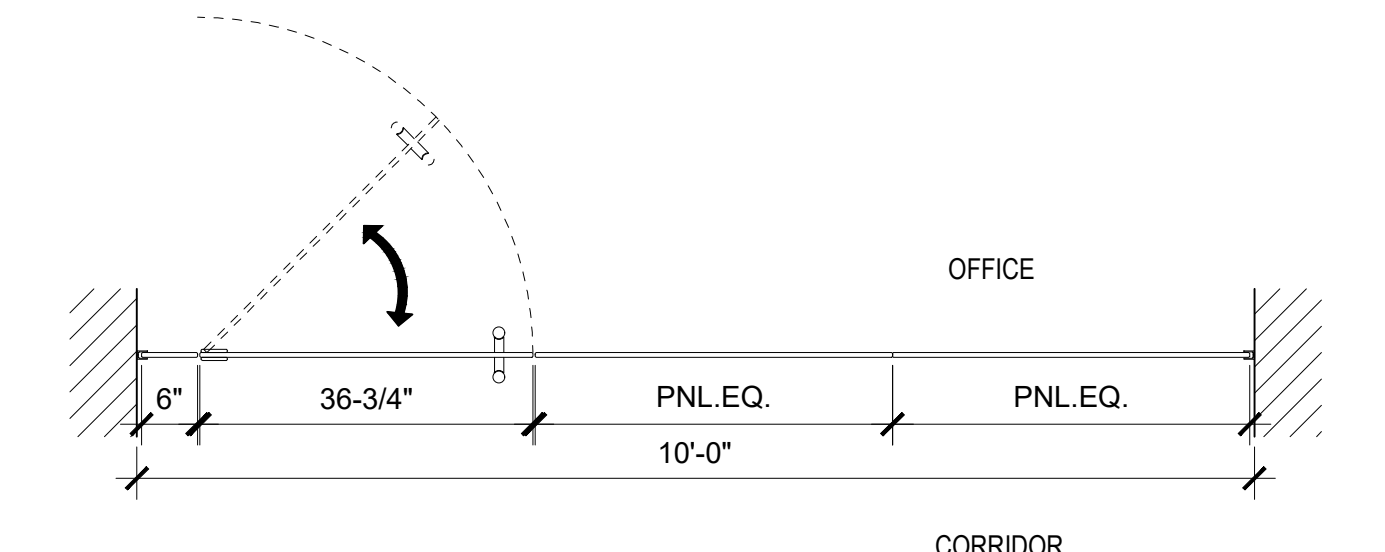
3 SECTION
Scale: 1 : 1



4 SECTION
Scale: 1 : 1



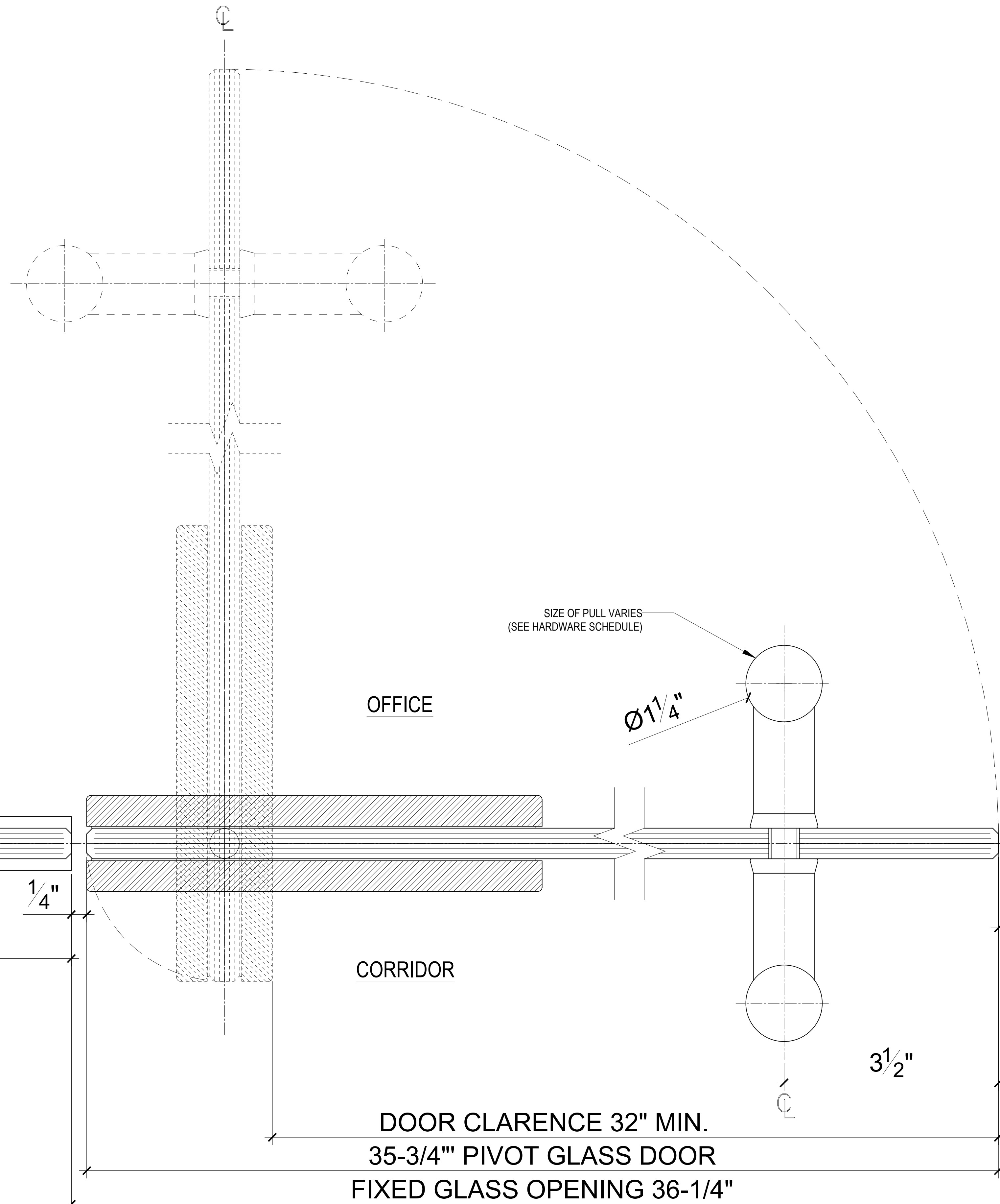
2 ELEVATION
Scale: 1 : 20



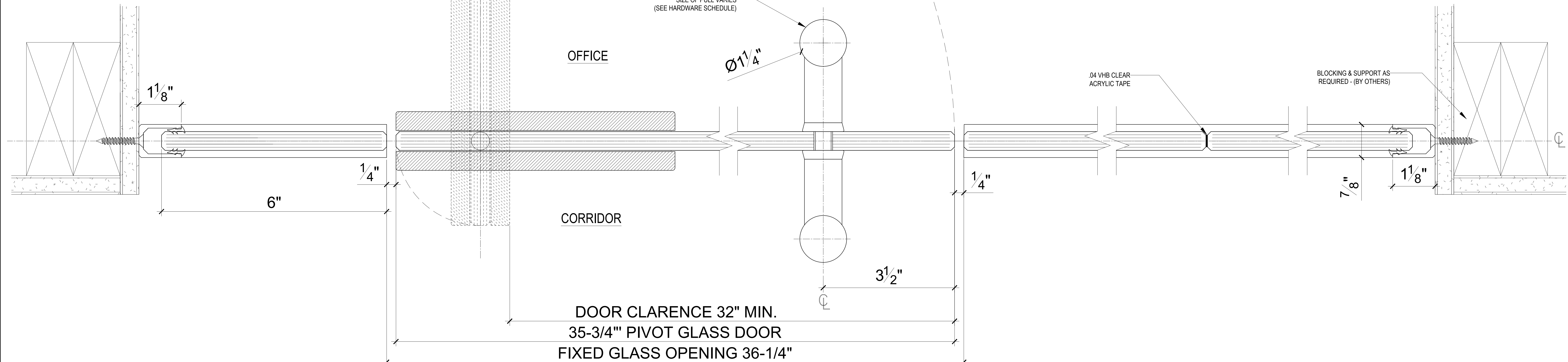
1 PLAN
Scale: 1 : 20

SYSTEM HEIGHT

SYSTEM HEIGHT



5 SECTION
Scale: 1 : 1



CLARITY
BY NELLO

Title:
**CLARITY DESIGN ELEMENTS
PIVOT DOOR DETAILS**

<small>Scale:</small> AS NOTED	<small>Date:</small> 7/10/18	<small>Drawing #:</small> CL-002
-----------------------------------	---------------------------------	-------------------------------------

In accordance with the law, we reserve the exclusivity rights of this drawing. Its reproduction or disclosure to third party is forbidden without our express authorization.

NELLO
WALL SYSTEMS

6685 Santa Barbara Ct.
Suite A
Elkridge, MD 21075
USA
<http://www.nellowall.com>
info@nellowall.com
410.579.8533